



USE & CARE GUIDE

SINGLE SIDE BURNER MODEL BLZ-SB1(NG/LP)
DOUBLE SIDE BURNER MODEL BLZ-SB2(NG/LP)

DANGER - IF YOU SMELL GAS:

- 1) Shut off the gas supply to the appliance at its source.
- 2) Extinguish any open flames.
- 3) Open burner lid to release any accumulation of gas vapor.
- 4) If gas odor persists, keep away from your appliance and contact your gas supplier or fire department immediately.

WARNING

- 1) Do not store or use gasoline or other flammable liquids or vapor in the vicinity of this or any other appliance
- 2) A LP cylinder not connected for use shall not be stored in the vicinity of this or any other appliances.

ATTENTION INSTALLER:

PLEASE LEAVE THESE INSTRUCTIONS WITH THE CONSUMER.

ATTENTION CONSUMER:

PLEASE READ & RETAIN THESE INSTRUCTIONS FOR FUTURE REFERENCE AND BEFORE INSTALLING OR OPERATING.

CONTACT INFORMATION -

Blaze Outdoor Products: 6620 Greenwell Springs Rd

Baton Rouge, LA 70805 USA

Phone: 866-976-9510 email: CustomerService@BlazeGrills.com

BLAZEGRILLS.COM



SINGLE DROP IN SIDE BURNER



DOUBLE SLIDE IN SIDE BURNER



WARNINGS:

WARNING: Improper installation, adjustment, alteration or maintenance can cause major injury or property damage. Read the installation and operating instructions and always use a licensed professional installer to install all gas appliances and hook up electrical.

All side burners are for outdoor use only with natural gas or LP gas. Do not place this appliance in an enclosed room, under a sealed overhead structure or in any type of enclosed area such as a shed, garage, RV, trailer or breezeway. Side burners are not designed or intended for installation near a window or vent that goes into the house.

Make sure that you maintain at least 16" from back and 14" from the sides to any combustible material and do not install under any patio covers.

Make sure you always refer to local and state codes as well as consult your local city for any city laws

The area surrounding the side burner must always be kept clean and have no flammable liquids and other combustible material such as cleaning material, solvents, cleaning fluids, gasoline around it.

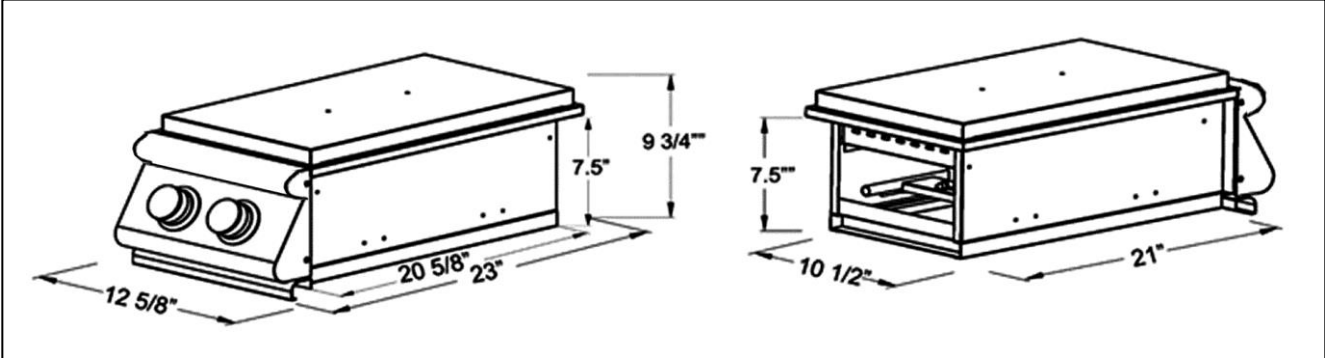
CALIFORNIA PROPOSITION 65 WARNING

The burning of gas cooking fuel generates some by-products which are on the list of substances which are known by the State of California to cause cancer or reproductive harm. California law requires businesses to warn customers of potential exposure to such substances. To minimize exposure to these substances, always operate the unit according to the use and care manual, ensuring you provide good ventilation when cooking.

Product Dimensions and Cutouts

Double Side Burner Cutout

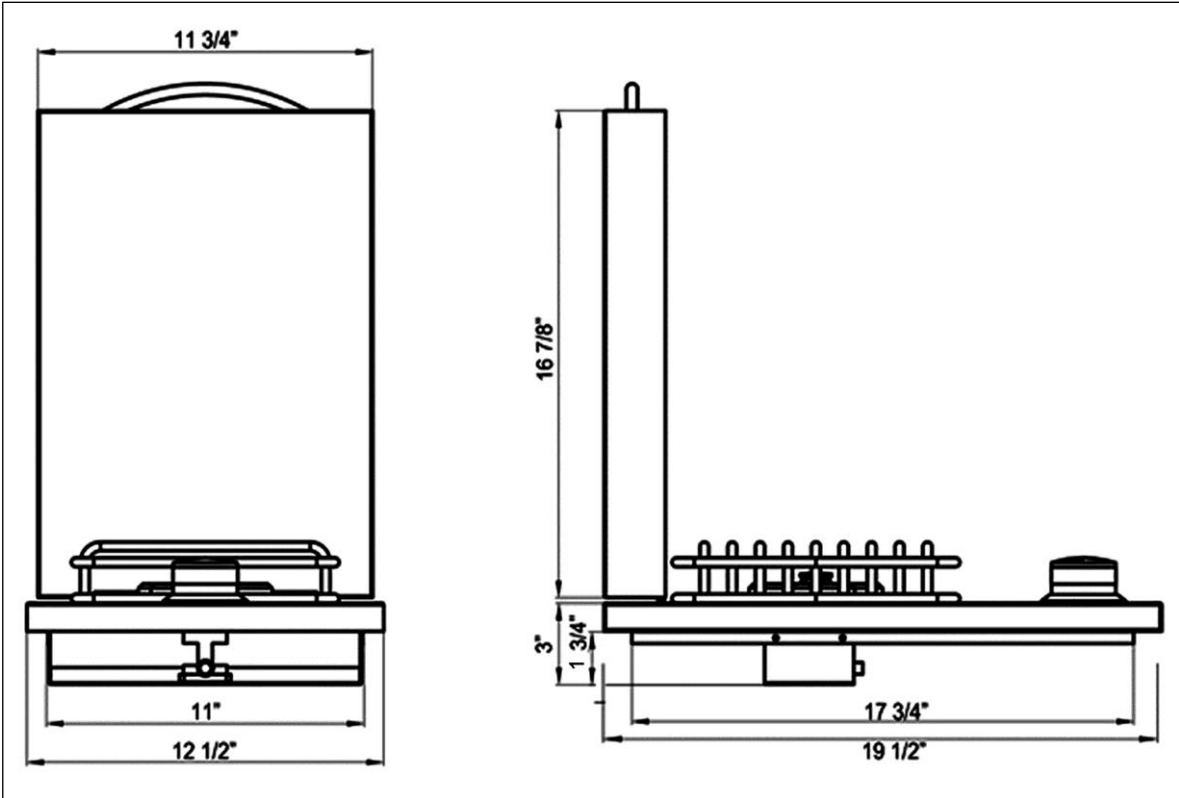
8 1/2" H x 10 3/4" W x 20 3/4" D



Single Side Burner Cutout

11 1/4" W x 17 3/4" D

(Allow for 2 13/16" of drop-in clearance into your island)





Caution

SIDE BURNER WARNINGS

W
A
R
N
I
N
G

Never use dented, rusty or damaged propane cylinders. Never store additional or empty propane cylinders in the cabinet or in the vicinity of this or any other appliance. Do not store propane cylinders indoors or on their sides.

Children should never be left alone or unattended in an area where a burner is located. Place your burner well away from areas where children play. Do not store items that may interest children in or around the area of your burner or in the masonry enclosure.

Never move the burner when hot. When in use, portions of the burner are hot enough to cause severe burns.

Always maintain the required clearances from combustibles as detailed. Burners are designed for outdoor use only. Never use in a garage, building, shed, breezeway, or other enclosed area. Do not use this equipment under any overhead combustible construction or built-in combustible material.

Grill burners are not designed or certified for and are not to be installed in or on recreational vehicles, portable trailers, boats or any other moving installation.

Always have an ABC fire extinguisher accessible – never attempt to extinguish a grease fire with water or other liquids.

Store your burner: Store your burner in a well-ventilated area. If stored indoors, detach and leave LP cylinder outdoors in a well-ventilated area away from heat and away from where children may tamper with it.

Keep any electrical supply cord and the fuel supply hose away from any heated surfaces. Electrical cords should be placed away from walkways to avoid tripping hazard.

Do not repair or replace any part of the burner unless specifically recommended in this manual. Other services should be performed by a qualified technician.

If the burner is installed by a professional installer or technician, be sure that he/she shows you where your gas supply shut-off is located. All gas lines must have a shut-off that is readily and easily accessible. If you smell gas, check for gas leaks immediately. Check only with a soap and water solution. Never check for gas leaks with an open flame.

Inspect the LP gas supply hose prior to each use of the burner. If there is evidence of excessive abrasion or wear, or the hose is cut, it must be replaced before using the burner.

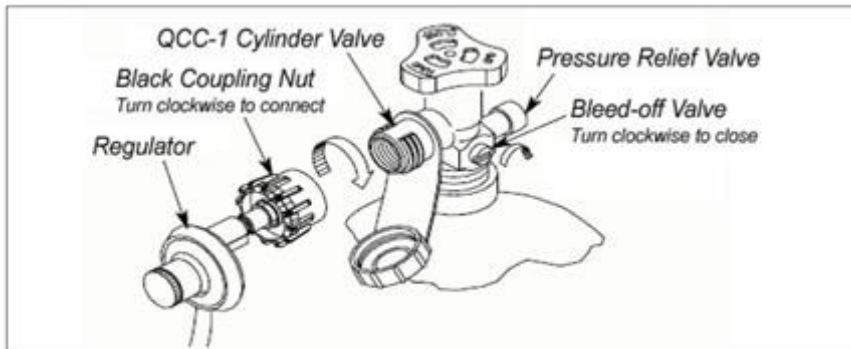
THIS MANUAL MUST REMAIN WITH THE PRODUCT OWNER FOR FUTURE REFERENCE.

BASIC CAUTIONS & CARE

- Do not leave side burner unattended while cooking
- Keep stainless steel clean with using mild dish detergent such as “Dawn”. You can also shine up the stainless with WD40 – exterior only & not near any food prep area. Do not use steel wool or wire brushes as this will scratch the surface. Always clean with the grain of the stainless steel.
- Do not spray WD40 near an open flame

Liquid Propane and Natural Gas Connections

LIQUID PROPANE CONNECTIONS



- The LP Gas Cylinder must be in compliance with the specifications for LP - Gas Cylinders of the US Department of Transportation or the National Standard of Canada, CAN/CSA - B339. The basic tank size is 12" in diameter and 18" High with a QCC - 1 cylinder valve.
- For any enclosure, the cylinder such as a BBQ island, make sure the island is well vented on the top and bottom.
- In Canada installation must comply with the standard CAN/CGA - B149.2
- Always use a licensed plumber or contractor to install all gas installations. Ensure that the side burner is fitted independently with a brass gas shut off valve located close to the side burner and easily accessible.
- If there are local codes that apply to outdoor burners, you will have to conform to them. Installation must conform with local codes or, in the absence of local codes, with Propane Installation Code, CSA B149.1, or Propane Storage and Handling Code, B149.2 as applicable.
- A low pressure propane regulator must be used. This regulator needs to be set for 11 inches of water column (pressure).
- Ensure your gas lines are protected from sharp edges and heated surfaces such as the burner housing.
- Make sure you always use a trained professional contractor and/or plumber to install all gas appliances.
- If you smell gas switch off the gas supply immediately to the appliance and call a professional.

NATURAL GAS CONNECTIONS

- All Natural Gas installations must conform to local codes or in the absence of local codes the national fuel gas code, ANSIZ2223.1a- - 1998.
- If there are local codes that apply to outdoor burners, you will have to conform to them. Installation must conform with local codes or in the absence of local codes, to the National Fuel Gas Code, ANSI Z223.1/NFPA 54 and Natural Gas Installation Code, CSA B149.1.
- In Canada, installation must comply with the standard CAN/CGA- - B149.2
- Always use a licensed plumber or contractor to install all gas installations. Ensure that the

side burner is fitted independently with a brass gas shut off valve located close to the side burner and easily accessible.

- The regulator used must be set for 4" water column and is for use with Natural gas only.
Note: Most low pressure regulators have a directional arrow indicating the direction in which the gas must travel. Ensure the arrow is pointing in the direction of the grill.
- Ensure your gas lines are protected from sharp edges and heated surfaces such as the burner housing.
- For any enclosure such as a BBQ island, make sure the island is well vented on the top and bottom
- When installing for natural gas make sure that the side burner has its own brass shut off valve so that it can be easily and safely switched off.
- If you smell gas switch of the gas supply to the appliances and call a professional.

LIGHTING THE SIDE BURNER

- Open the top hood or remove the top cover
- Keep your face and body away from the burner and flame
- Push in and turn control knob to left high position a spark will lite the burner
- Try three times and if gas does not ignite then wait 5 minutes
- If spark does not work you can place a lit long match or long nose lighter next to burner holes to ignite.
- If this does not light with electronic spark or match, switch off and call a professional to test unit or call manufacturer.
- Make sure knob is in the OFF position at all times when not use it

SIDE BURNER CONVERSION KITS

There will be a complete conversion kit in each Side Burner for the opposite gas. The kit will include one (Single Side Burner) or Two (Double side Burner) orifices to be replaced.

- Pull out side burner and look at where the gas goes into the burner - - (Pic Below)
- Remove orifice and replace with orifice of desired gas type
- If unsure of full procedure please contact manufacturer directly
- Always have a gas professional perform this procedure for you



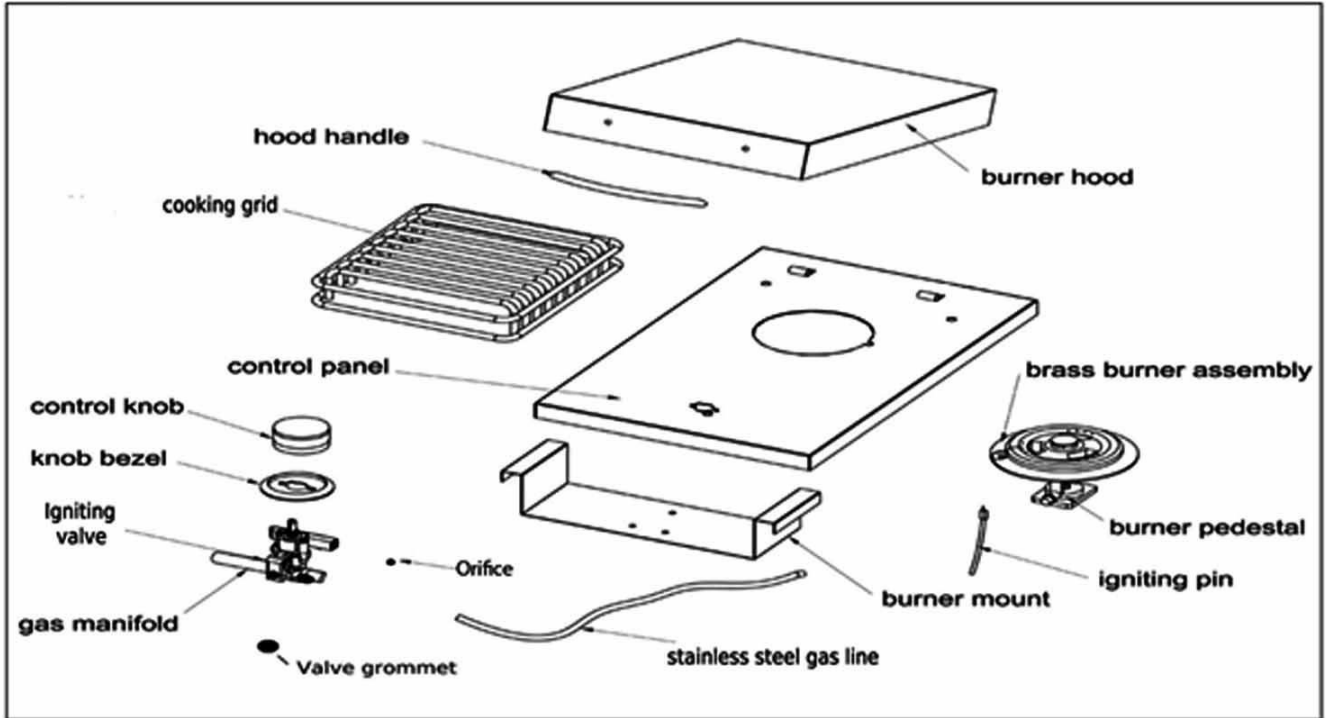
BASIC SIDE BURNER TERMINOLOGY

Refer to the charts below for part information.

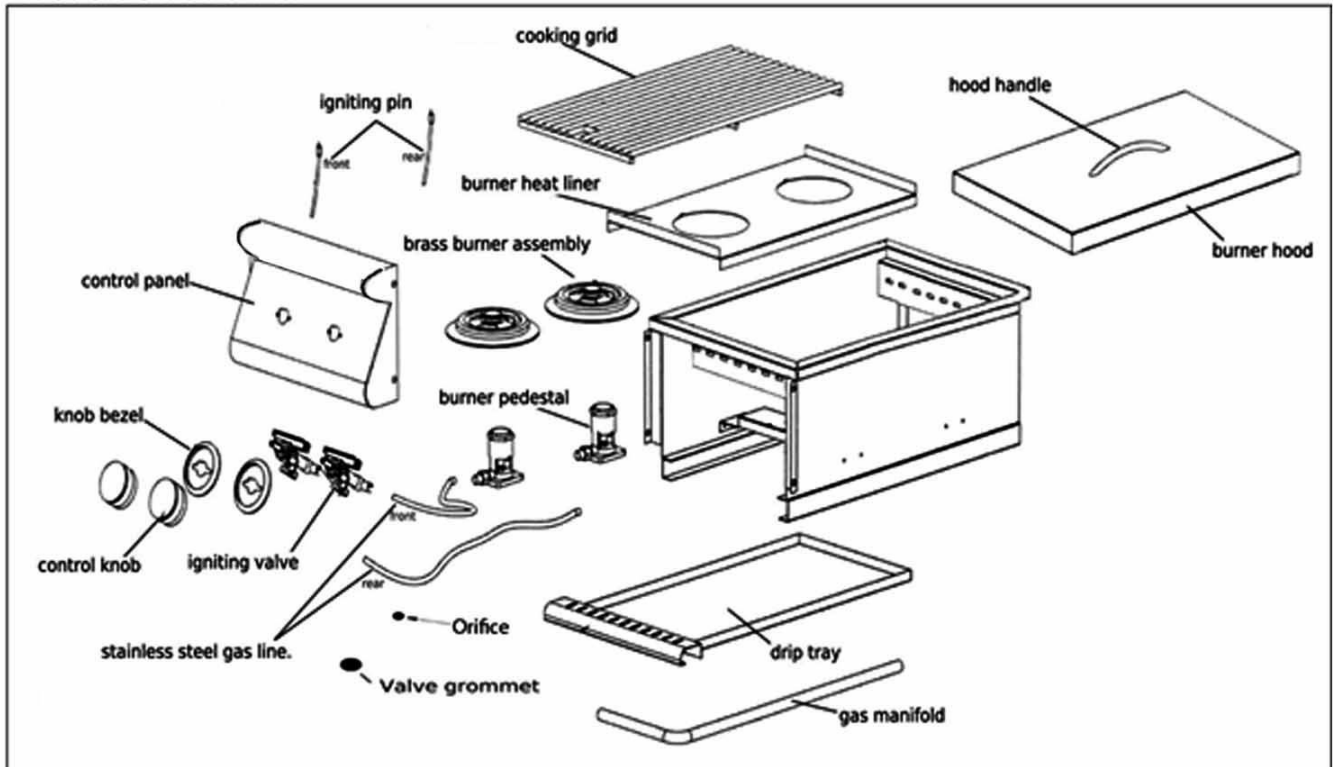
BASIC SIDE BURNER TERMINOLOGY

Refer to the charts below for part information

Single Side Burner



Double Side Burner



SIDE BURNER PARTS – WARRANTY ORDER

Single Side Burner – 1 Burner

| | |
|----------------------------|------------|
| SS Burner Hood | BLZ-SB-001 |
| Burner Hood Handle | BLZ-SB-002 |
| SS Control Panel Hinge | BLZ-SB-003 |
| SS Brass Burner Pedestal | BLZ-SB-005 |
| SS Igniting Pin | BLZ-SB-006 |
| SS Burner Mount | BLZ-SB-007 |
| SS Stainless Steel Gasline | BLZ-SB-008 |
| SS Gas Manifold | BLZ-SB-009 |
| SS Valve | BLZ-SB-010 |
| SS Knob Bezel | BLZ-SB-011 |
| SS Control Knob | BLZ-SB-012 |
| SS Control Panel | BLZ-SB-013 |
| SS Cooking Appliance | BLZ-SB-014 |
| Side Burner Orifice LP | BLZ-SB-059 |
| Side Burner Orifice NG | BLZ-SB-060 |
| Valve Grommet | BLZ-32-053 |

Double Side Burner – 2 Burners

| | |
|----------------------------------|-------------|
| DS Burner Hood | BLZ-DSB-001 |
| Brass Burner Assembly | BLZ-DSB-004 |
| DS Burner Pedestal | BLZ-DSB-005 |
| DS Gas Manifold | BLZ-DSB-009 |
| DS Valve | BLZ-DSB-010 |
| DS Knob Bezel | BLZ-DSB-011 |
| DS Control Knob | BLZ-DSB-012 |
| DS Cooking Appliance | BLZ-DSB-014 |
| DS Front Stainless Steel Gasline | BLZ-DSB-015 |
| DS Rear Stainless Steel Gasline | BLZ-DSB-016 |
| DS Front Igniting Pin | BLZ-DSB-017 |
| DS Rear Igniting Pin | BLZ-DSB-018 |
| DS Burner Heat Liner | BLZ-DSB-019 |
| DS Grease Pan Slider | BLZ-DSB-020 |
| DS Drip Tray | BLZ-DSB-022 |
| | |

| | |
|---------------------------------------|---|
| <u>Smell of Gas is Present</u> | Check for loose connections or cracks in the gas line. Perform a leak test with soapy water or Windex. DO NOT TRY AND TEST WITH A FLAME. If you find a leak, immediately shut off the gas supply and call a gas professional to fix the problem. |
| <u>Burner Does Not Ignite</u> | Check position of igniting pin. It should jump over to the brass burner. Clean area where contact will be made from spark tip to burner. Make sure there is a blue spark at the electrode tip to burner. Make sure the wire is connected correctly. Make sure the orifice is free of any grease or dirt. ALWAYS TURN OFF GAS WHEN TESTING |
| <u>Yellow Flame</u> | Color on flame should be mostly blue. There should be a yellow tip but if flame is completely yellow, clean burner and substances around burner to remove oil or debris on the burner, burner pedestal or orifice. |
| <u>Plugged Orifice</u> | Remove orifice and clean with a fine wire. |
| <u>No Gas To Burner</u> | Check shut off valve to see if it is in the ON position. Make sure that gas is on to main BBQ and is operating – gas may be turned off. |

ALWAYS CALL MANUFACTURER IF YOU HAVE TECHNICAL QUESTIONS

Warranty Registration

If you have purchased a Blaze Series Power Burner you must register your product within 30 days of purchase to validate the warranty and maintain your original receipt to get parts for the appliance. You may register your appliance at blazegrills.com by selecting Support, and then selecting Register your Product. You may also fill out page 1.0 and mail to the address located at the bottom of the form. The warranty is for original owners only at the original site of delivery and cannot be transferred to new owners. You must retain your sales slip or invoice. Blaze Power Burners are warranted for normal single family/residential use only.

Installation, repair and maintenance work should be performed by an authorized service technician. Work by unqualified persons could be dangerous and will void the warranty. All Natural and LP Gas appliances must have a qualified installer complete the installation for the warranty to be in effect. The incorrect installation of the Blaze gas appliance will void the warranty. Please call Blaze Outdoor Products for more information on correct installation of the gas appliance.

Blaze Outdoor Products shall not be liable under this or any implied warranty for incidental or consequential damages and Blaze Outdoor Products liability is limited to the purchase price of the appliance only. This warranty gives you specific legal rights, and you may also have other rights, which may vary from state to state. This warranty is applicable in the United States and Canada only. No one else is authorized to perform any obligations under this warranty.

Improper Maintenance, high cooking temperatures, excessive humidity, chlorine, fertilizers, lawn pesticides, chemicals, and salt can affect the Stainless Steel components and for these reasons, the warranties DONOT COVER DISCOLORATION, SURFACE RUST, OR RUST, unless there is a loss of structural integrity / rust through of the appliance components. This warranty covers defects in material and workmanship.

WARRANTY ON PARTS EFFECTIVE 3-15-16 :

- Burners –Lifetime (Parts Only)
- Burner Grate – Lifetime (Parts Only)
- Body + Lid– Lifetime (Parts Only)
- Valves- Lifetime (Parts Only)
- Ignition– 1 year (Parts Only)

Consumers are responsible for all labor and shipping cost associated with warranty parts. All warranty claims are subject to manufacturer review. Please make sure to have your sales receipt information and product serial number located on the outside left side panel of the appliance. All replacement parts can be purchased through your local stocking dealer.

Blaze Product Registration

Please take a minute to let us know what you bought. This makes sure we keep you up to date and have your info ready if you ever need warranty help!

Name

First _____ **Last** _____

Email _____

Phone _____

Street Address _____

Address Line 2 _____

City _____ **State / Province / Region** _____

Zip / Postal Code _____ **Country** _____

What is the model number of the Blaze Product purchased?

What is the serial number on the Blaze product (only on grills and side burners)?

Where did you buy your Blaze product?

Mail To:

Blaze Outdoor Products
Warranty Registration
6620 Greenwell Springs Rd
Baton Rouge, LA 70805