



BLAZE™

OUTDOOR KITCHEN + GRILLS



PRODUCT MANUAL

Blaze 48-Inch Vent Hood

BLZ-48-VHOOD2

BlazeGrills.com



SCAN TO REGISTER

TABLE OF CONTENTS

| | | |
|----------|---|--------------|
| 1 | <i>Safety Notice</i> | III-V |
| <hr/> | | |
| 2 | <i>Diagrams</i> | 1-3 |
| | Hood Dimensions | 1 |
| | Control Panel | 2 |
| | Clearance | 3 |
| <hr/> | | |
| 3 | <i>Installation</i> | 4-10 |
| | Instructions | 4-6 |
| | Venting Options | 7 |
| | Hood Installation | 8-9 |
| | Motor Rotation Instructions | 10 |
| <hr/> | | |
| 4 | <i>Care & Cleaning</i> | 11-12 |
| | Wiring Diagram | 12 |
| <hr/> | | |
| 5 | <i>Troubleshooting</i> | 13-16 |
| <hr/> | | |
| 6 | <i>Warranty Information</i> | 17 |
| | Warranty | 17 |
| | Exploded View and Replacement Parts | 18 |



IMPORTANT SAFETY NOTICE

UPON RECEIPT OF YOUR HOOD:

- 1) Inspect your hood for any damage in shipping
- 2) **Plug in and test controls (lights, fan) before installing.**
- 3) Call your dealer immediately to report any damage

Please note: You must report any damage directly to your dealer immediately upon receipt to address any issues.



CALIFORNIA PROPOSITION 65 WARNING

WARNING: This product can expose you to chemicals including Chromium (hexavalent compounds), which are known to the State of California to cause cancer and birth defects or other reproductive harm. For more information go to: www.P65Warnings.ca.gov



IMPORTANT SAFETY NOTICE

Installer: Leave this guide with the homeowner.

Consumer: Keep this guide for future reference.

The Important Safety Notice and warnings in this manual are not meant to cover all possible problems and situations that can occur. Use common sense and caution when installing, maintaining or operating this or any other appliance.

Always contact your dealer with any problems or situations that you do not understand.

SAFETY SYMBOLS AND LABELS



DANGER

To avoid the possibility of explosion or fire, do not store or use combustible, flammable or explosive vapors and liquids (such as gasoline) inside or in the vicinity of this or any other appliance. Keep items that could explode (such as aerosol cans) away from cook-top burners, ovens and range hoods. Do not store flammable or explosive materials in adjacent cabinets or surrounding areas.



WARNING

WARNING - TO REDUCE THE RISK OF FIRE, ELECTRIC SHOCK, OR INJURY TO PERSONS, OBSERVE THE FOLLOWING:

1. Use this unit only in the manner intended by the manufacturer. If you have questions, contact your dealer. Before servicing or cleaning your hood, turn the power off.

GENERAL SAFETY PRECAUTIONS:

To reduce the risk of fire, electric shock, serious injury or death when using your range hood, follow basic safety precautions, including the following:



IMPORTANT SAFETY NOTICE



WARNING

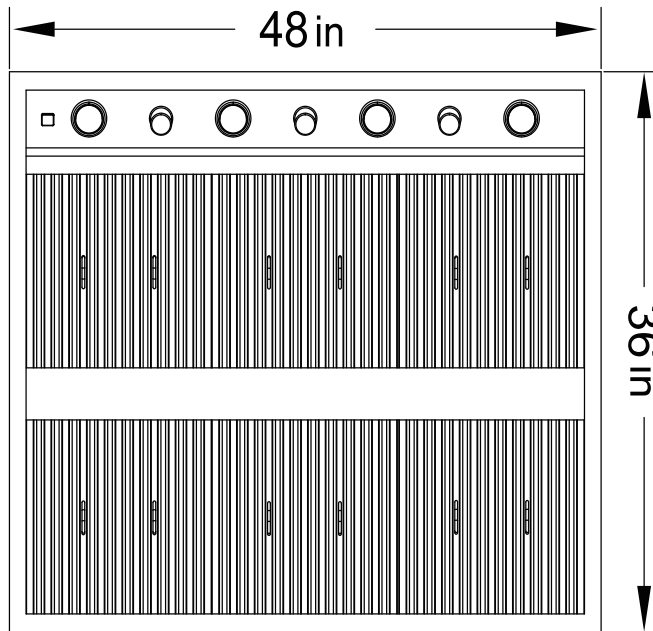
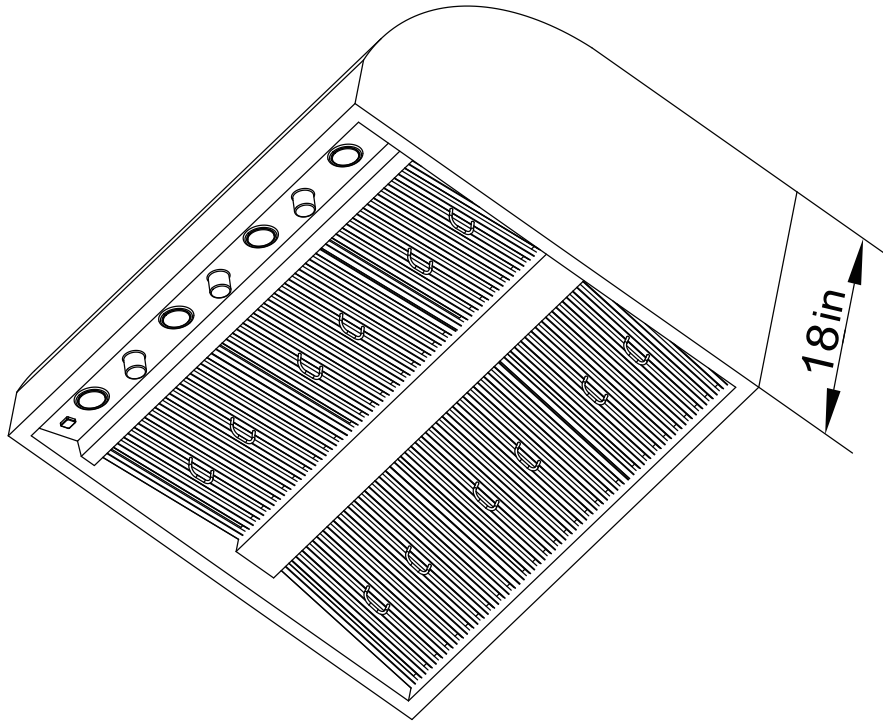
- ◆ If you receive a damaged product, immediately contact your dealer. Do not install or use a damaged hood.
- ◆ Do not install, repair or replace any part of the range hood unless specifically recommended in the literature accompanying it.
- ◆ Use the range hood only for its intended purpose as outlined in this manual. DO NOT use this range hood to vent hazardous or explosive materials or vapors.
- ◆ Do not tamper with the controls.
- ◆ Never allow the filters to become blocked or clogged. Do not allow foreign objects, such as cigarettes or napkins, to be sucked into the hood.
- ◆ If the cook-top and range hood is near a window, use an appropriate window treatment . Avoid long drapes or other window coverings that could blow over the cook-top and hood, resulting in a fire hazard.
- ◆ **Always run the blower(s) while the appliance is in operation. Failure to do so could result in the overheating and failure of components.**
- ◆ Do not leave children or pets alone or unattended in the area while the cook-top and range hood are in use.
- ◆ The minimum vertical distance between the cooking surface and the exterior part of the hood must be no less than 36". The vertical distance may be longer for the range or cook-top being used.

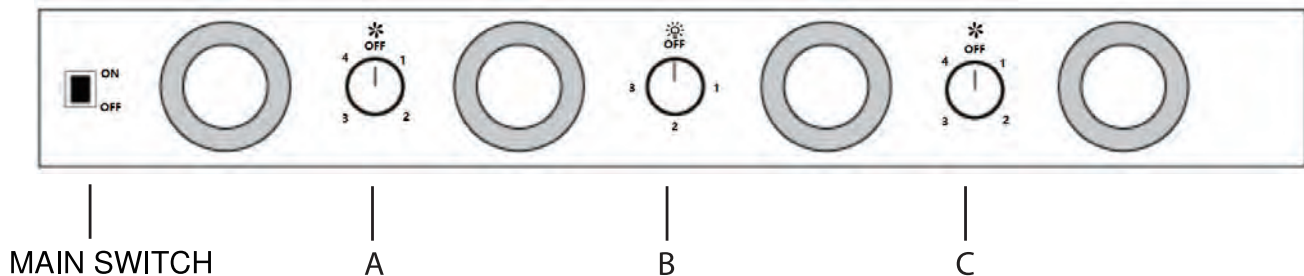
To reduce the risk of a range top grease fire:

1. Never leave surface units unattended at high settings. Boil-overs cause smoking and greasy spills that may ignite. Heat oils slowly on low or medium settings.
2. Always turn hood ON when cooking.
3. Clean ventilating fans frequently. Grease should not be allowed to accumulate on fan or filter.

To reduce the risk of injury to person in the event of a range top grease fire:

4. **SMOTHER FLAMES** with a close-fitting lid, cookie sheet or metal tray, then turn off the burner. **BE CAREFUL TO PREVENT BURNS.** If the flames do not go out immediately, **EVACUATE AND CALL THE FIRE DEPARTMENT**
5. **NEVER PICK UP A FLAMING PAN** - you may be burned.
6. **DO NOT USE WATER**, including wet dish clothes or towels - a violent steam explosion may result.





A) LEFT FAN:

To adjust the speed of left motor, each motor has 4 speed settings. Turning the knob once clockwise will start the motor in the lowest speed setting. Continuing to turn the knob clockwise will allow the motor to advance to the highest setting. Turning counter clockwise will return the motor to the original position and stop the motor.

B) LIGHTS:

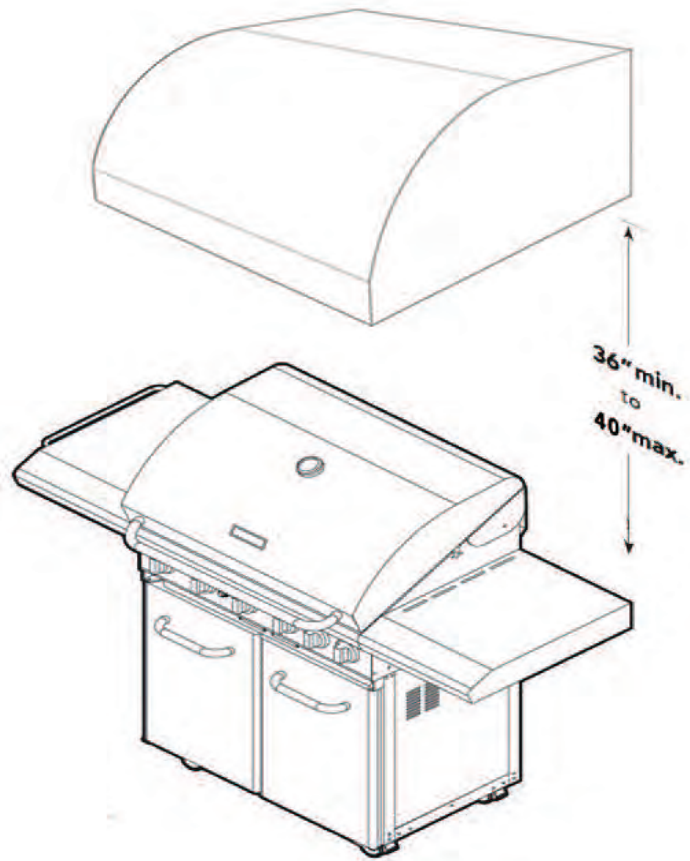
To turn on lights, turning the knob once clockwise will turn on the lights. Rotate the knob to select the desired color temperature: 1: Cool White (White Light), 2: Neutral White (Natural Light), 3: Warm White (Yellow Light)

C) RIGHT FAN:

To adjust the speed of right motor, each motor has 4 speed settings. Turning the knob once clockwise will start the motor in the lowest speed setting. Continuing to turn the knob clockwise will allow the motor to advance to the highest setting. Turning counter clockwise will return the motor to the original position and stop the motor.

MAIN SWITCH:

To turn on or off the main power for motors and lights.





WARNING

It is important to install the hood at the proper mounting height. Hoods mounted too low could result in heat damage and fire hazard. Hoods mounted too high will be hard to reach and will lose performance and efficiency.

For best installation, we recommend you:

- ◆ Plug in and test controls (lights, fan) before installing.
- ◆ Allow 36-40" between the top of your cooking surface and the bottom of hood
- ◆ Vent through a sidewall if you cannot vent directly above your range hood
- ◆ Vent with completely straight runs of pipe. If necessary, use as few elbows in the venting as possible, with no more than 3 90-degree elbows. Every elbow in the ducting reduces airflow and the vent hoods performance.
- ◆ Make sure there is at least 24" of straight pipe between any elbows
- ◆ Use silver or duct tape to seal all joints in the vent system
- ◆ Use caulking to seal exterior openings around the cap
- ◆ Always use metal or aluminum ducts for maximum airflow
- ◆ Always keep the duct clean to ensure proper airflow

DO NOT:

- ◆ Terminate the vent system into an attic or other enclosed area
- ◆ Use 4" (10.2cm) laundry-type wall caps
- ◆ Use plastic venting
- ◆ Use corrugated flexible ducting.
- ◆ Combine ducting (see below NOTE)

Note: This model comes with two vent outlets each ready to accept 8" pipe. To ensure proper performance, maintain the dual exhaust paths vs. combining into a single pipe. Combining into a single pipe can create a competition between the two motors either creating poor performance and/or one motor overtaking the other. As vented as described above, one would require two vent caps with damper and screen each having a rating of 1000 CFM per cap.

Tools Needed

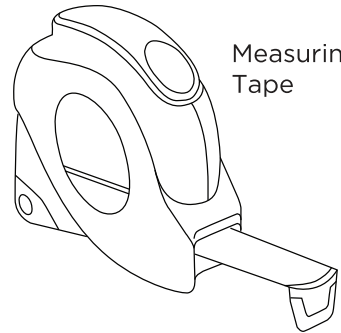
Marker
or Pencil



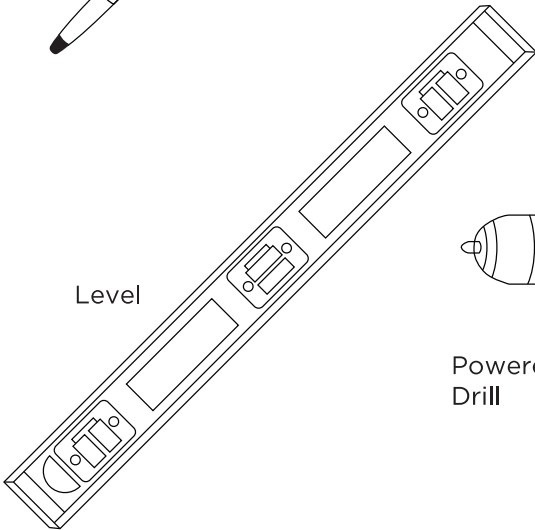
Utility Knife



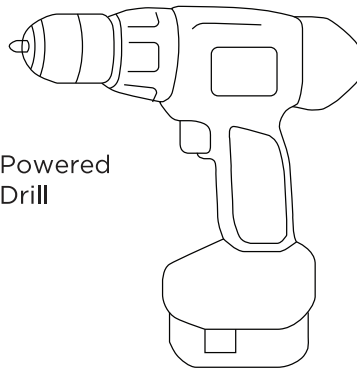
Measuring
Tape



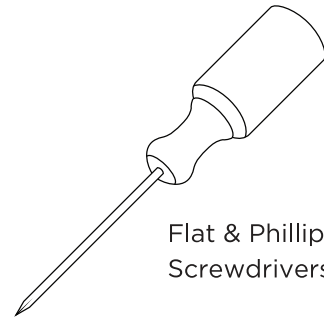
Level



Powered
Drill



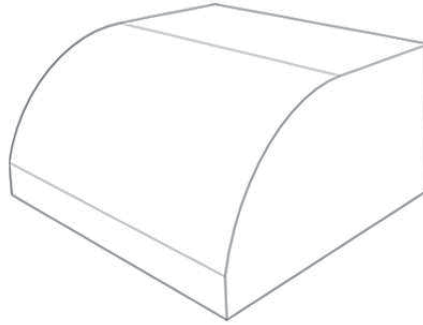
Flat & Phillips
Screwdrivers



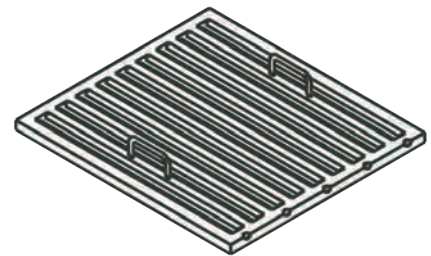


Parts Supplied

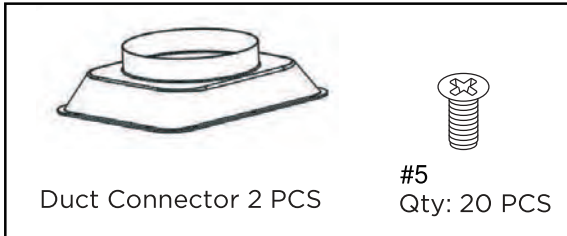
Range Hood



Grease Trays: 2 PCS



Stainless Steel Baffle Filters: 8 PCS

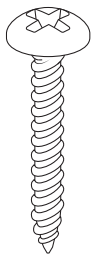


Duct Connector 2 PCS

#5 Qty: 20 PCS



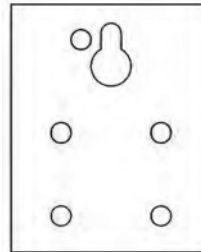
#4 Mounting Screws Qty: 7 PCS



#2 Mounting Screws Qty: 6 PCS



#3 Wall Anchors Qty: 3 PCS



Mounting Bracket: 3 PCS

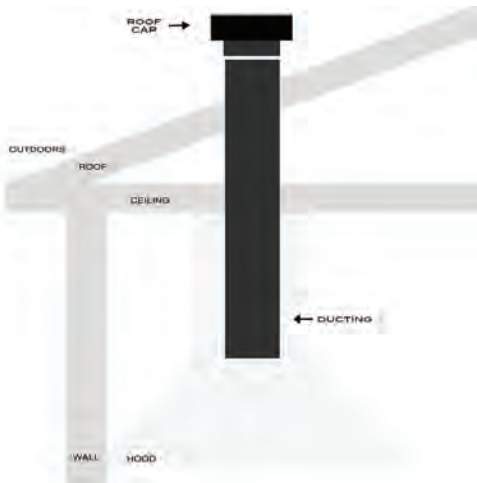


#1 Qty: 12 PCS

WALL VENTING

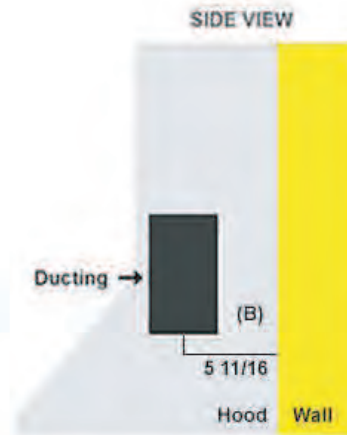
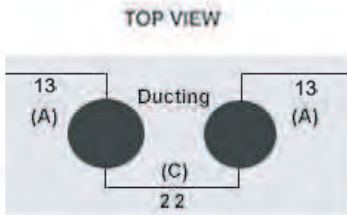
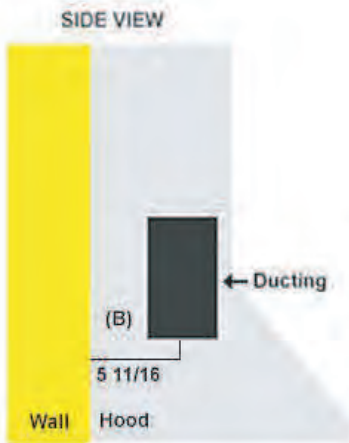
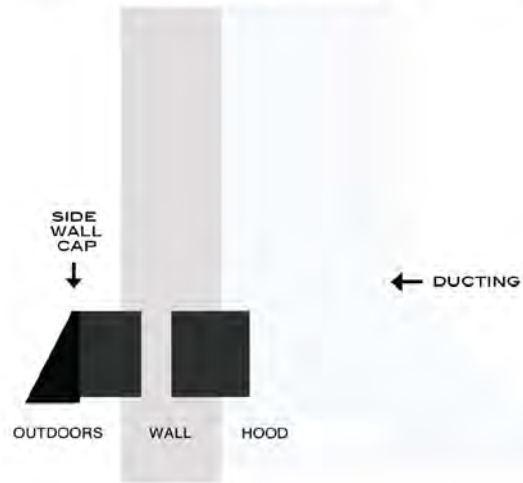
Option 1

VERTICAL ROOF VENTING



Option 2

DIRECT WALL VENTING



A - 13" from the side edge of the hood to the center of the duct

B - 5 11/16" from the wall to the center of the duct (using the included mounting bracket which is between the wall and hood and is roughly an 1/8" thick)

C - 22" from the center of the duct to the center of the duct

***Note: the included transition pieces come ready to accept 8" ducting**



PREPARATION

Plan where the ductwork will be located. Install proper-sized ductwork, and roof or wall cap, depending on where you will be venting your hood. Adjust your measurements to accommodate heights of ceilings, cabinets, or range-tops. **Remember to plug in and test the hood prior to installation.** When planning for the installation of the vent hood - please include an opportunity to access the top of the hood when the installation is complete. This is necessary for service or replacing parts over time as there are several fasteners that will need to be accessed over time.

Electrical Requirements - Hood comes with 3-foot cord, and will plug into the top of the hood and then into an 110V GFI protected outlet that should be wired to a 10 AMP breaker.

STEP 1

Secure hood to wall using appropriate screws and parts.

Different wall material situation using different method.

Wooden wall without studs:

Using three mounting bracket (pictured) to help secure the hood to the wall.

1. Using 12pcs of flat screws #1 through hole "A" to secure the 3pcs of mounting brackets on the back of the hood.
2. Using 3pcs of mounting screws #2 through top of the hole "B" to secure the hood on the wall.
3. Using 3pcs of mounting screws #2 through hole "C" into the Wall to make double secure.

Dry wall or sheet rock wall:

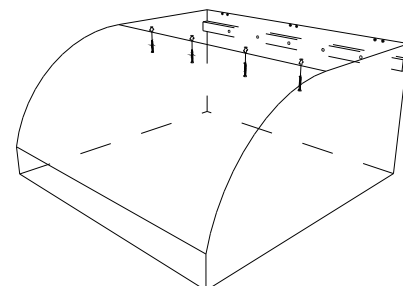
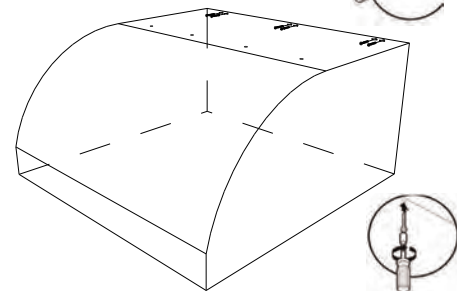
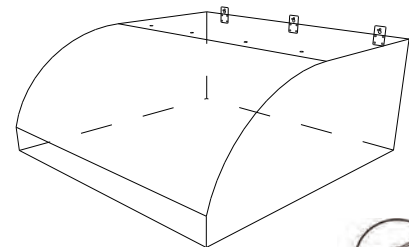
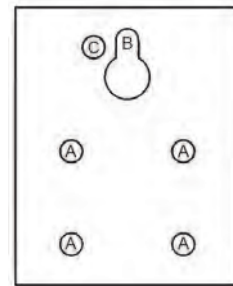
1. Using 12pcs of flat screws #1 through hole "A" to secure the 3pcs of mounting brackets on the back of the hood.
2. Beat 3pcs of wall anchors #3 (make sure the inside screws are taking out) into the wall first, screw the wall anchor's screw into the wall anchors (leave a space to hang the mounting bracket).
3. Hang the hood on the wall, then tighten the screws #3 into the wall anchors.

Install the range hood on the wall studs:

Using 6pcs of mounting screws #1 directly to the wall studs.

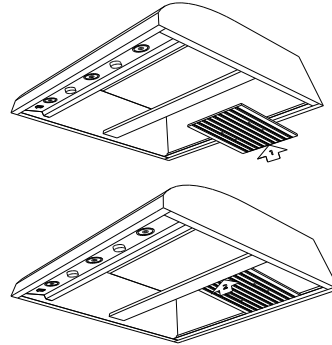
-OPTIONAL-

If not using a duct cover, using #4 of shorter mounting screws, make sure top mounting screws are secured into soffit or cabinet framing use additional mounting screws, if necessary.

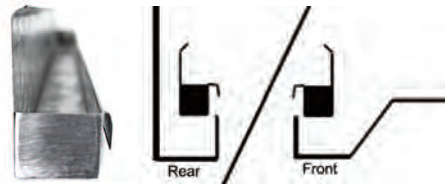


STEP 2

Install the two grease trays in the front and back of the unit. When installed, these trays will accept the grease filters on the bottom side.

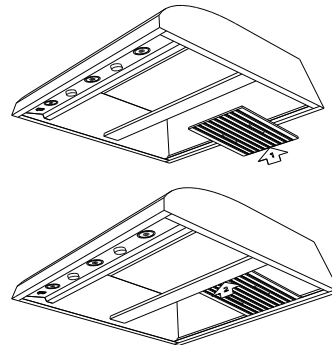


When installing the drip trays, place each tray in the recession at the front and rear as show in the drawing. Be sure to have the small front bend hook over the lip of the recession.



STEP 3

Install all grease filter handles to the filters using the included screws. Three filters cover the front section of the hood and three cover the rear. Install the filters leaving the bottom of the filters resting in the previously installed grease trays and the tops will lay in the U shaped channel in the center support. Install the center grease trays first (as there is an opening for the tray to leaving the middle tray for last).

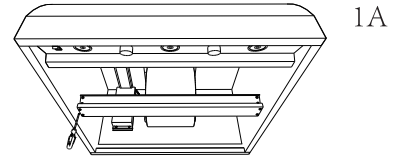


Electrical Requirements - Hood comes with 3-foot cord, and will plug into a 110V outlet which should be wired to a 10AMP breaker.



GETTING STARTED

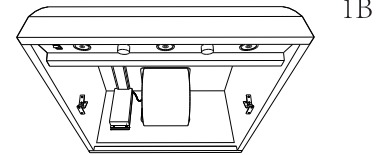
The image to the right shows the position of the motors directly from the factory. This position of the motor is used when running vertical pipe for your venting.



1A

STEP 1 REMOVE THE MIDDLE PLATES

Remove the screws securing the middle plates. Detach and take off the three middle plates.

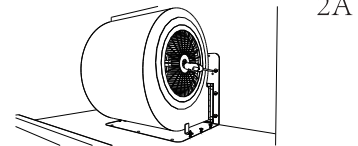


1B

STEP 2 DISASSEMBLE THE MOTOR MOUNTING PLATE SCREWS

Remove the screws on the mounting plate that are closest to the wall. Loosen the screws at the top of the mounting plate.

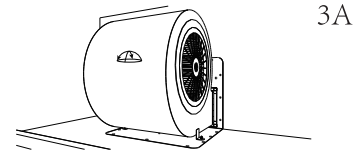
Note: Do not remove the top screws completely; they will be used for temporary positioning.



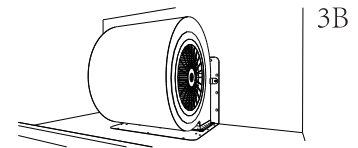
2A

STEP 3 ROTATE THE MOTOR

Rotate the motor along with its mounting plate. Once rotated, use the loosened top screws to temporarily secure the motor in its new position.



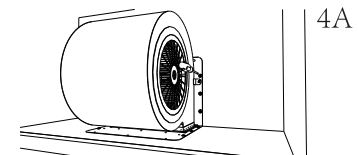
3A



3B

STEP 4 REINSTALL THE MOTOR

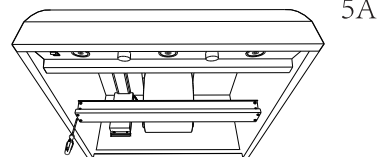
First, reinstall and tighten the mounting plate screws near the wall. Then, fully tighten the top screws to ensure the motor is securely fixed.



4A

STEP 5 REINSTALL THE MIDDLE PLATES

Place the three middle plates back into their original positions. Secure them by reinserting and tightening all screws.



5A

**WARNING**

- ◆ Never put your hand into the area housing the fan while the fan is operating.
- ◆ Turn off and disconnect power to the hood before cleaning.
- ◆ Make sure your cook-top and hood are cool before cleaning.
- ◆ Use only the types of cleaning solutions mentioned in this manual.
- ◆ Completely dry the filter(s) immediately after cleaning.

CLEANING EXTERIOR SURFACES

- ◆ Regular care will help preserve the appearance of your range hood .
- ◆ Always wipe stainless steel surfaces with the grain to avoid scratches .
- ◆ Clean periodically with hot soapy water and clean cotton cloth .
- ◆ For heavier soil, use a liquid degreaser such as 409™ or Fantastic™
- ◆ If hood looks splotchy, use a stainless steel cleaner on the surface. Promptly and gently remove cleaner with a soft towel or wipe .
- ◆ After cleaning, you may use non-abrasive stainless steel polish (such as 3m™ or ZEP™) to buff out stainless luster Always scrub lightly and with a clean cotton cloth.

**DO NOT:**

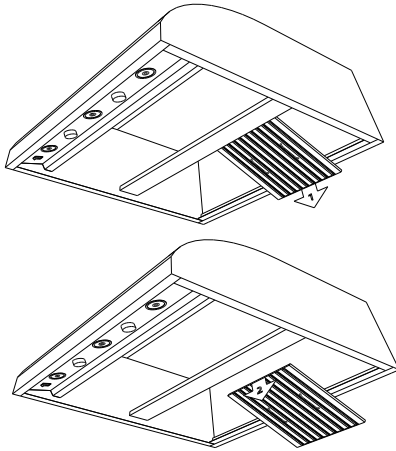
- ◆ Use corrosive or abrasive detergent (eg, Comet Power Scrub™ or EZ-Off™ oven cleaner).
- ◆ Use steel wool or scouring pads, which will scratch and damage the stainless steel surface.
- ◆ Leak cleaning solution onto or into the control panel .
- ◆ Allow deposits to accumulate or remain on the hood .
- ◆ Allow salt solutions, disinfectants, bleaches, or cleaning compounds to remain in contact with the stainless steel for extended periods.

CLEANING BAFFLE FILTERS

All BLAZE BBQ hoods come with stainless steel baffle filters. They should be inspected for grease accumulation periodically. The baffle filters can be washed in a dishwasher or in a sink with hot, soapy water. Simple periodic cleaning will ensure maximum filter effectiveness.

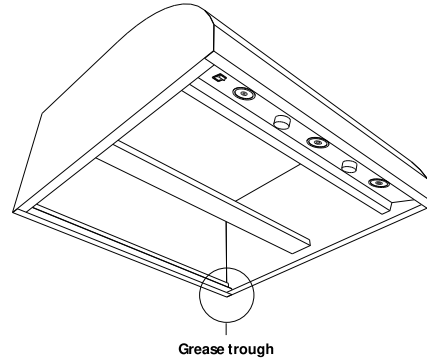


STEP 1

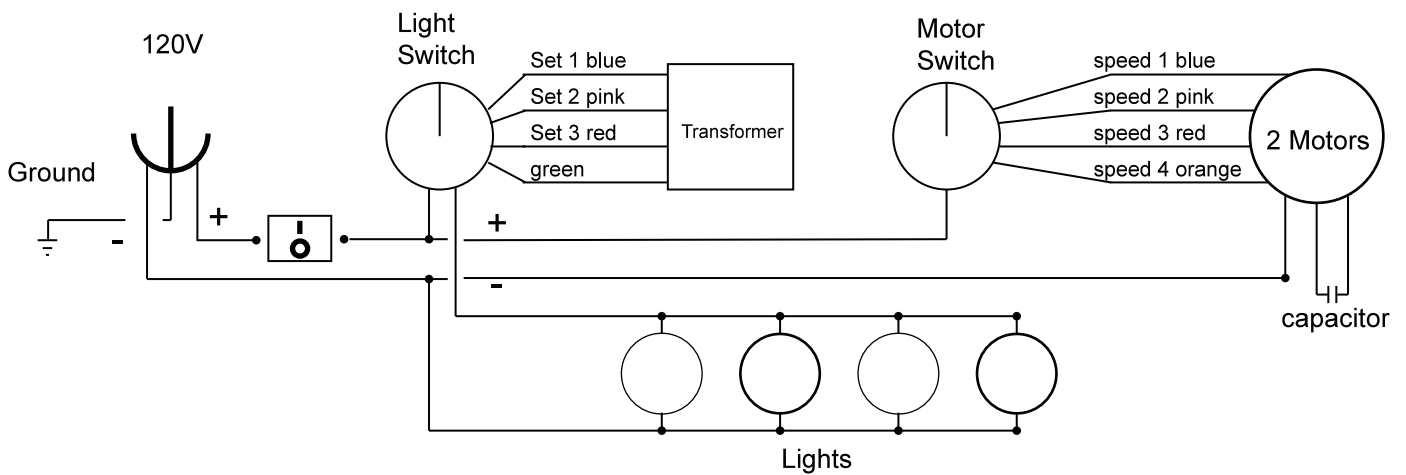


Slide filter forward off of rear lip. Lower filter rear, then slide filter front out. Repeat this step for all filters on the front and back of the hood.

STEP 2



When cleaning filters, always remove the grease channels and clean with hot soapy water. Both the filters and the channels are dishwasher safe. Dry thoroughly before re-installing.



Wiring Diagram

NOTHING WORKS (Control Panel not responding, Blower not working)

Solution 1: Turn on power at circuit breaker panel or fuse box . Check for tripped breaker or blown fuse under the black plastic cover on the rear of the hood.

Solution 2: Make sure hood power cable is plugged in and powered.

LIGHTS NOT TURNING ON

Solution 1: see “nothing works”

Solution 2: Check the wiring on the lights to insure a secure connection/ no. loose wires.

Solution 3: Swap out lights to determine if bulbs are defective.

RANGE HOOD VIBRATES WHEN BLOWER IS ON

Solution 1: Make sure the range hood has been secured properly to the ceiling or wall.

Solution 2: Ensure the two nuts (one on each side) on the blower moter’s axle are tight. These are accessible by removing the safety covers on each side.

Solution 3: Ensure the venting system is correct. Back-pressure caused by incorrect venting not only leads to poor performance but can also create vibrations at the hood.

BLOWER SYSTEM SEEMS WEAK

Solution 1: Increase the fan speed, ensure that it is at a high enough setting.

Solution 2: Make sure the ducting is sized and run correctly. Range hood will not function efficiently with insufficient duct size (IE, 9” duct over 8” hole).

Solution 3: Check to see if the duct is clogged or if the damper unit (half-circular flapper) is installed correctly. A tight mesh on the side wall cap unit might also cause restriction to the air flow.

Solution 4: Ensure the correct vent termination cap is used with whose cfm rating matches that of each motor.

AIR NOT VENTING OUT PROPERLY

Solution 1: Make sure there is at least 36” between the top of the cooking surface and the bottom of the hood.

Solution 2: Reduce the number of elbows and length of duct work. Check to ensure all joints are properly connected, sealed and taped.

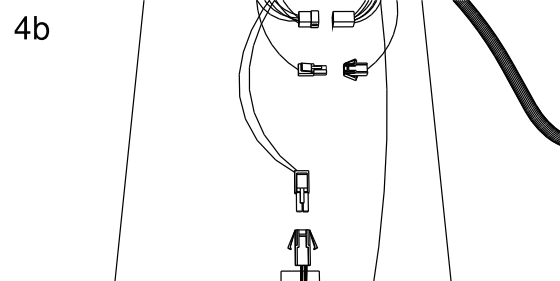
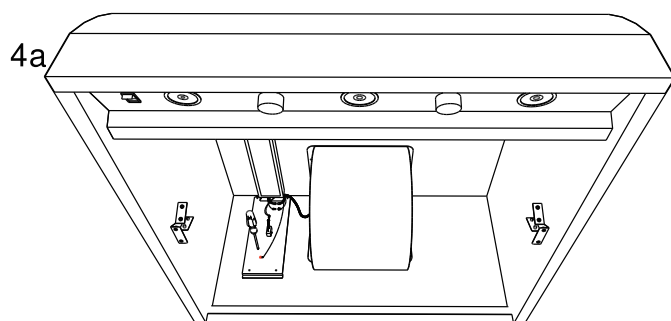
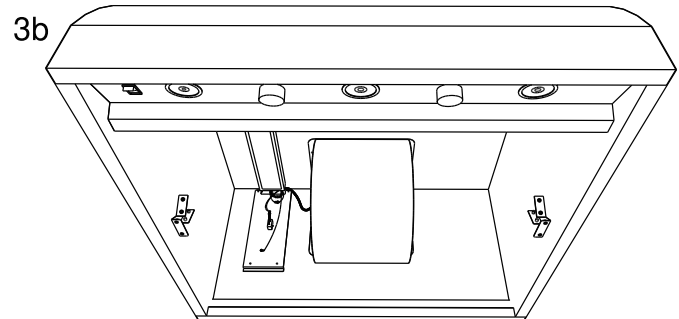
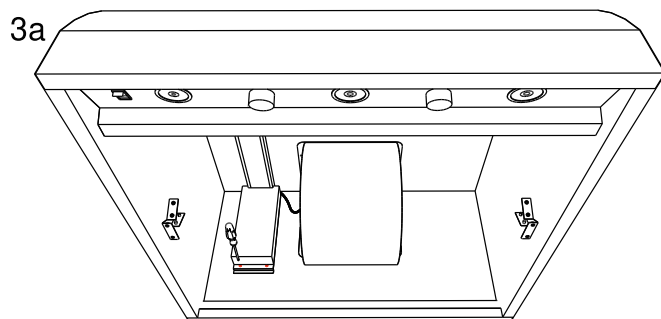
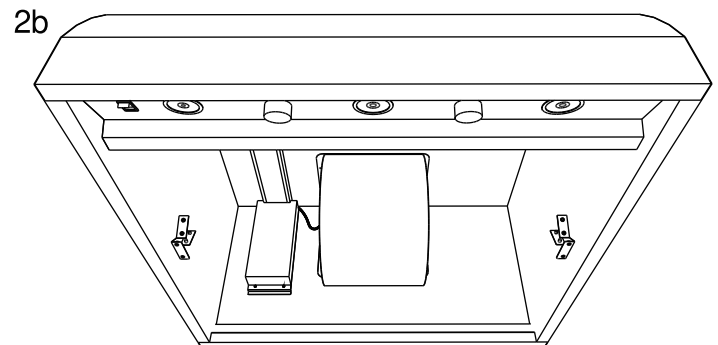
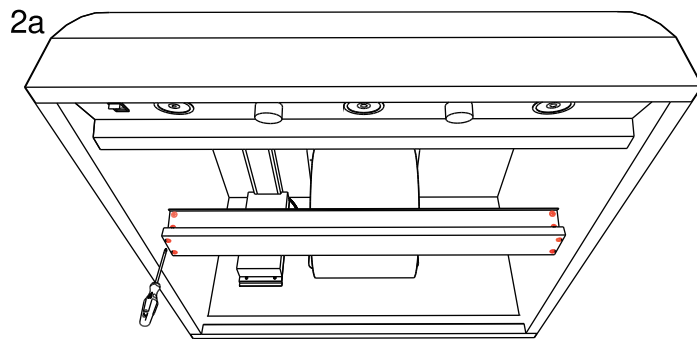
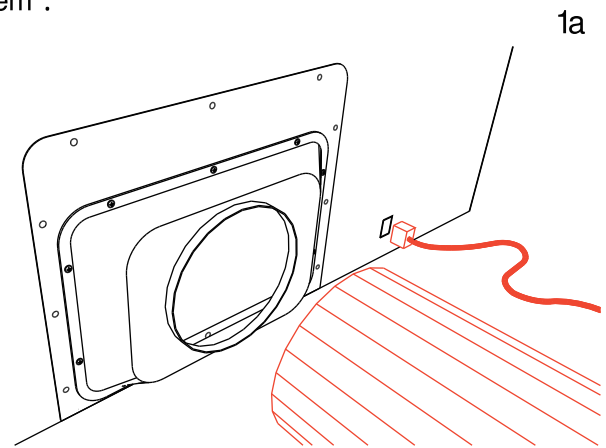
Solution 3: Make sure power is on high speed for heavy cooking.

Solution 4: See checks under “Blower system seems weak” above.

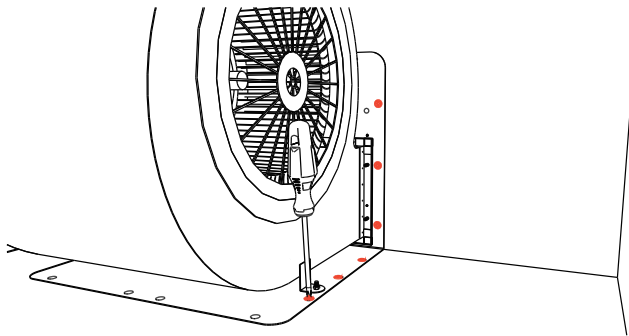


Installation Steps: How to Replace the Duct System :

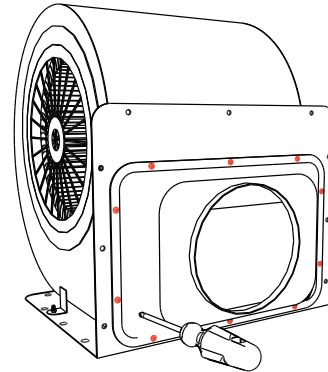
1. Unplug the power cord to disconnect the power supply, and disconnect the air outlet from the exhaust duct.
2. Remove the middle baffle strip .
3. Open the junction box cover.
4. Disconnect the three connectors.
5. Remove the connection plate and the blower and air outlet together.
6. Replace the blower on the connection plate with the new one.



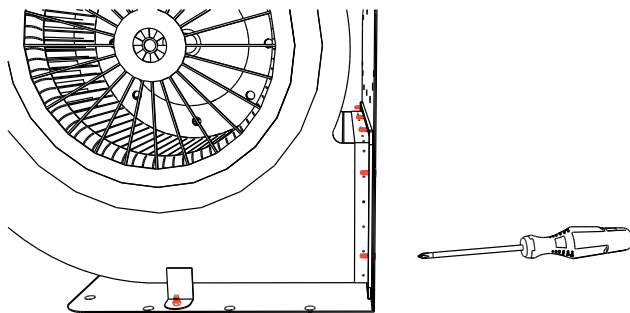
5a



5b

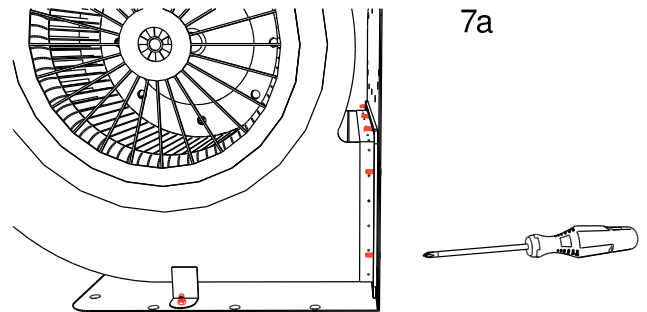


6a

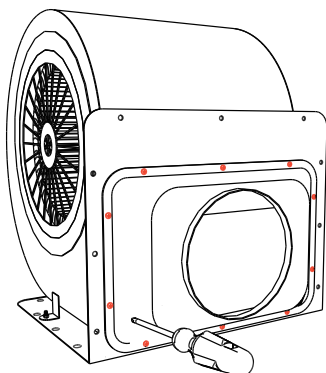


7. Reinstall the connection plate and the blower and air outlet together.
8. Reconnect the three connectors.
9. Reinstall the junction box cover.
10. Reinstall the middle baffle strip.
11. Reconnect the air outlet to the exhaust duct.
12. Plug in the power cord.

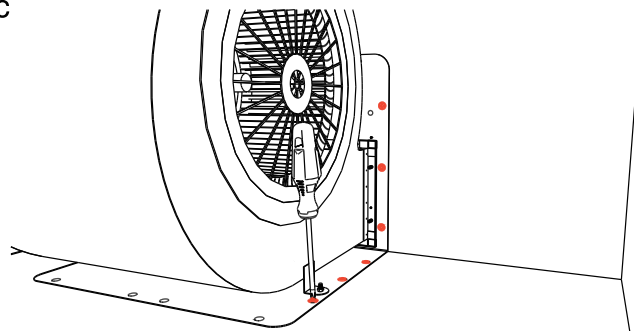
7a

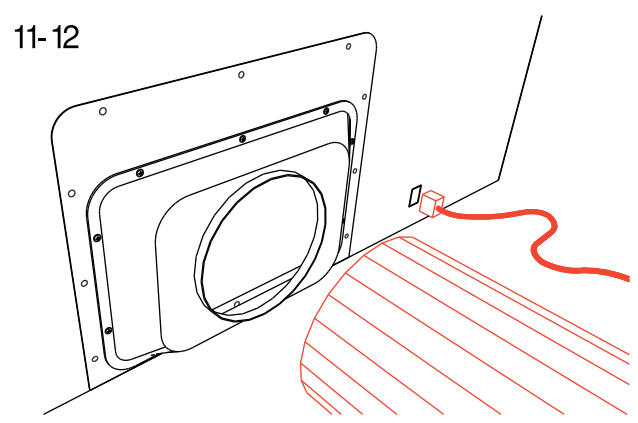
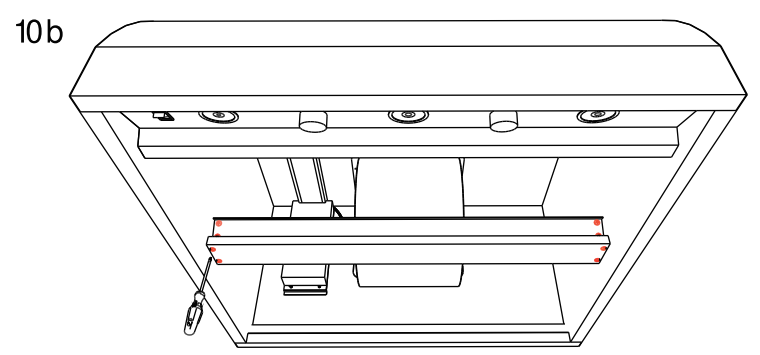
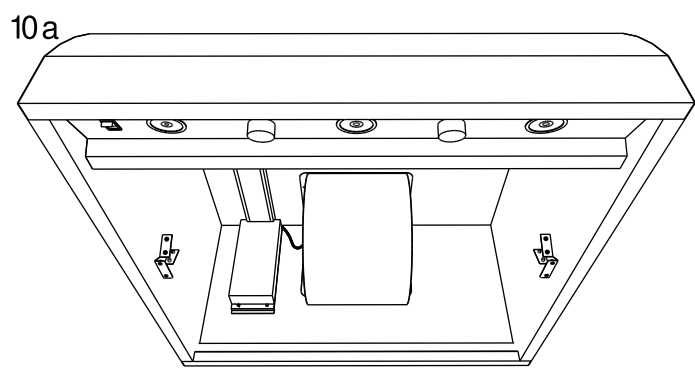
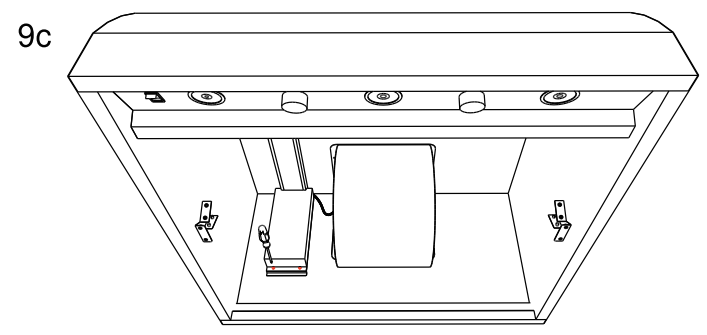
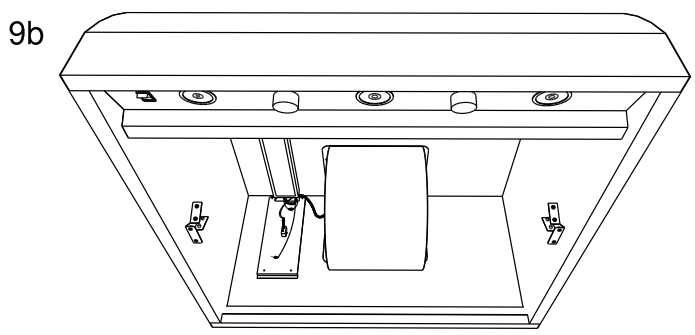
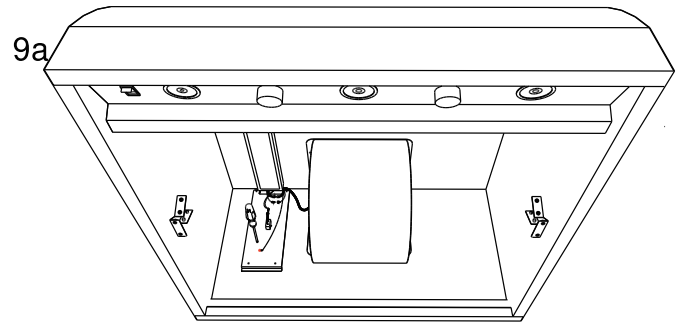
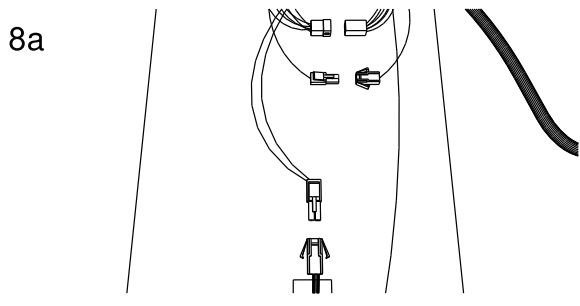


7b



7c





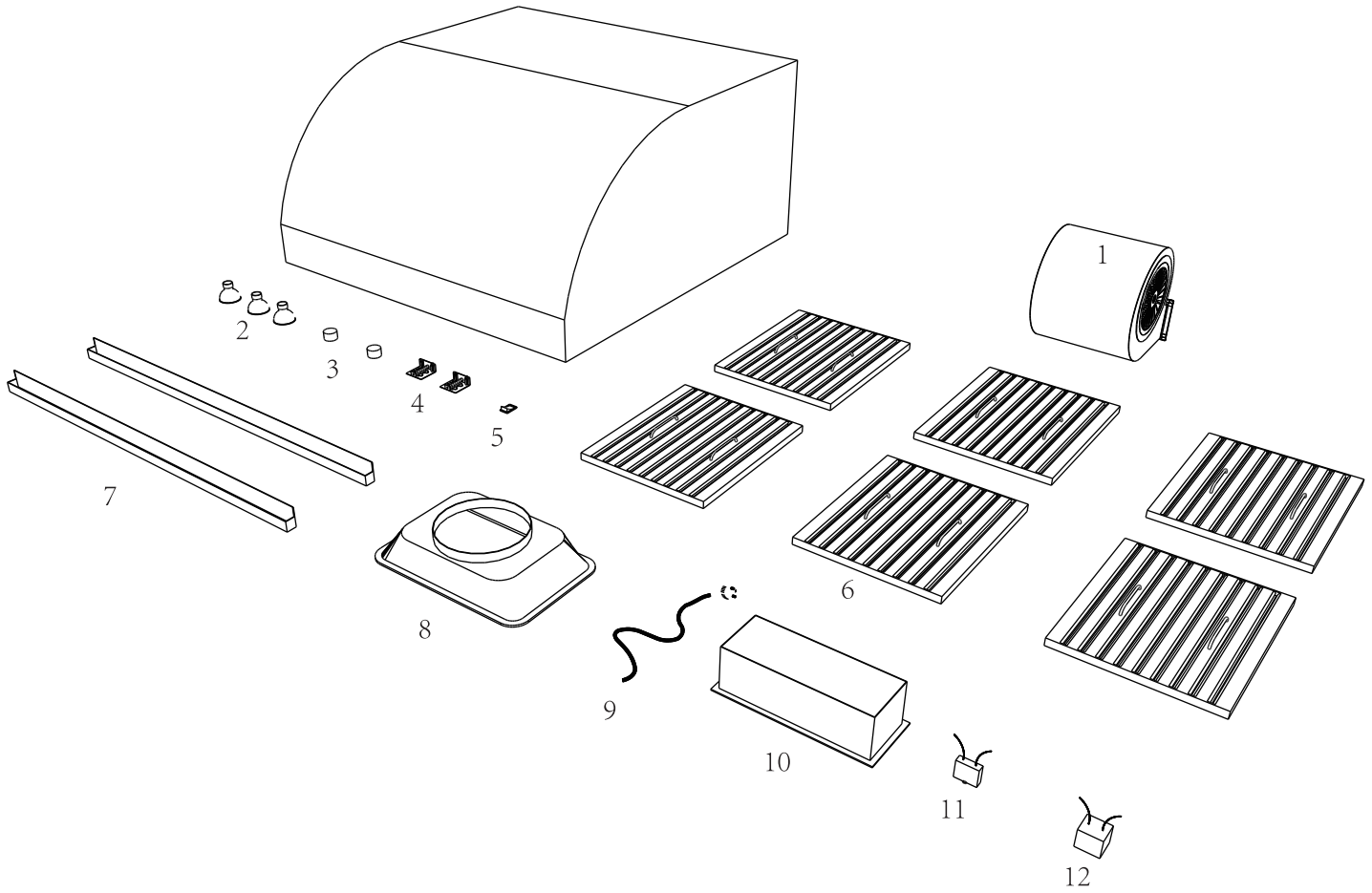
One Year Warranty - Parts Only

For one year from the date of original purchase, we will repair or replace any non-consumable parts or components that failed due to manufacturing defects.

ATTENTION International Customers: Please consult your selling dealer or distributor for specifics pertaining to your product warranty and procedure. No one else is authorized to perform any obligations under this warranty.

What is NOT Covered:

- ◆ Consumable parts such as light bulbs and filters (stainless, aluminum, or charcoal)
- ◆ Damage due to natural wear, improper maintenance, or use of abrasive cleaning products
- ◆ Chips, dents, or cracks due to abuse, misuse, or improper installation
- ◆ Damage caused by accident, fire, floods, or natural disaster



| NO. | ITEM | BLZ-36-VHOOD-2 | | BLZ-42-VHOOD-2 | | BLZ-48-VHOOD-2 | |
|-----|-----------------------|-------------------|---|-------------------|---|-------------------|---|
| 1 | Blower | BLZ-VHOOD2-001 | 1 | BLZ-VHOOD2-001 | 1 | BLZ-VHOOD2-001 | 1 |
| 2 | LED light | BLZ-VHOOD2-002 | 2 | BLZ-VHOOD2-002 | 4 | BLZ-VHOOD2-002 | 4 |
| 3 | Knob Cap | BLZ-VHOOD2-003 | 2 | BLZ-VHOOD2-003 | 3 | BLZ-VHOOD2-003 | 3 |
| 4A | Knob Controller-Light | BLZ-VHOOD2-004 | 1 | BLZ-VHOOD2-004 | 1 | BLZ-VHOOD2-004 | 1 |
| 4B | Knob Controller-Motor | BLZ-VHOOD2-005 | 1 | BLZ-VHOOD2-005 | 2 | BLZ-VHOOD2-005 | 2 |
| 5 | Main Switch | BLZ-42-HOOD-004 | 1 | BLZ-42-HOOD-004 | 1 | BLZ-42-HOOD-004 | 1 |
| 6 | Baffle Filter | BLZ-36-HOOD-001 | 6 | BLZ-42-HOOD-017 | 6 | BLZ-42-HOOD-017 | 8 |
| 7 | Grease Collector | BLZ-36-VHOOD2-006 | 1 | BLZ-42-VHOOD2-006 | 1 | BLZ-48-VHOOD2-006 | 1 |
| 8 | 8" Adpoter | BLZ-42-HOOD-001 | 1 | BLZ-42-HOOD-001 | 1 | BLZ-42-HOOD-001 | 1 |
| 9 | Plug | BLZ-WVH42-008 | 1 | BLZ-WVH42-008 | 1 | BLZ-WVH42-008 | 1 |
| 10 | Metal Junction Box | BLZ-42-HOOD-020 | 1 | BLZ-42-HOOD-020 | 1 | BLZ-42-HOOD-020 | 1 |
| 11 | Capacitor | BLZ-VHOOD2-007 | 1 | BLZ-VHOOD2-007 | 1 | BLZ-VHOOD2-007 | 1 |
| 12 | Transformer | BLZ-VHOOD2-008 | 1 | BLZ-VHOOD2-008 | 1 | BLZ-VHOOD2-008 | 1 |
| 13 | Control wires | BLZ-VHOOD2-009 | 1 | BLZ-VHOOD2-009 | 1 | BLZ-VHOOD2-009 | 1 |
| 14 | Manual & Hardwares | BLZ-VHOOD2-010 | 1 | BLZ-VHOOD2-010 | 1 | BLZ-VHOOD2-010 | 1 |



Please leave these instructions with the consumer.

Please read and retain these instructions for future reference and before installation or operation.

Contact Us:

Blaze

3401 Oak Villa Blvd. Baton Rouge, LA 70814

Phone: 866-976-9510

customerservice@blazegrills.com

Contact Us:

 @Blazegrills

 @Blaze_Grills

 @BlazeOutdoorProducts