



# USER MANUAL

Model #: BLZ-WVH-42

# TABLE OF CONTENTS


<b>1</b>	<b><i>Safety Notices</i></b>	<b>III-V</b>
<b>2</b>	<b><i>Diagrams</i></b>	<b>1-3</b>
	Hood Dimensions . . . . .	1
	Control Panel . . . . .	2
	Clearance Dimensions . . . . .	3
	<b><i>Installation</i></b> . . . . .	<b>4-9</b>
	Instructions . . . . .	4
	Venting Options . . . . .	5
	Hood Installation . . . . .	6-7
	Motor Rotation Instructions . . . . .	8
<b>4</b>	<b><i>Care &amp; Cleaning</i></b>	<b>9-10</b>
<b>5</b>	<b><i>Wiring Diagram</i></b>	<b>10</b>
<b>6</b>	<b><i>Troubleshooting</i></b>	<b>11</b>
<b>7</b>	<b><i>Warranty Information</i></b>	<b>12</b>



## UPON RECEIPT OF YOUR HOOD:

- 1) Inspect your hood for any damage in shipping
- 2) Plug in and test controls (lights, fan) before installing.
- 3) Call your dealer immediately to report any damage

**Please note:** you must report any damage directly to your dealer immediately upon receipt to address any issues.



**CALIFORNIA PROPOSITION 65 WARNING**  
**WARNING:** This product can expose you to chemicals including Chromium (hexavalent compounds), which are known to the State of California to cause cancer and birth defects or other reproductive harm. For more information go to: [www.P65Warnings.ca.gov](http://www.P65Warnings.ca.gov)



## IMPORTANT SAFETY NOTICE

**Installer:** Leave this guide with the homeowner.

**Consumer:** Keep this guide for future reference.

The Important Safety Notice and warnings in this manual are not meant to cover all possible problems and situations that can occur. Use common sense and caution when installing, maintaining or operating this or any other appliance.

Always contact your dealer with any problems or situations that you do not understand.

### SAFETY SYMBOLS AND LABELS:

#### DANGER

To avoid the possibility of explosion or fire, do not store or use combustible, flammable or explosive vapors and liquids (such as gasoline) inside or in the vicinity of this or any other appliance. Keep items that could explode (such as aerosol cans) away from the cooking surface, sources of heat and range hoods. Do not store flammable or explosive materials in adjacent cabinets or surrounding areas.

#### WARNING

WARNING - TO REDUCE THE RISK OF FIRE, ELECTRIC SHOCK, OR INJURY TO PERSONS, OBSERVE THE FOLLOWING:

1. Use this unit only in the manner intended by the manufacturer. If you have questions, contact your dealer. Before servicing or cleaning your hood, disconnect the power and trip the corresponding electrical breaker supplying the range hood.

### GENERAL SAFETY PRECAUTIONS:

To reduce the risk of fire, electric shock, serious injury or death when using your range hood, follow basic safety precautions, including the following:



## IMPORTANT SAFETY NOTICE

#### WARNING

- ◆ If you receive a damaged product, immediately contact your dealer. Do not install or use a damaged hood.
- ◆ Do not install, repair or replace any part of the range hood unless specifically recommended in the literature accompanying it.
- ◆ Use the range hood only for its intended purpose as outlined in this manual. DO NOT use this range hood to vent hazardous or explosive materials or vapors.
- ◆ Do not tamper with the controls.
- ◆ Never allow the filters to become blocked or clogged. Do not allow foreign objects, such as cigarettes or napkins, to be sucked into the hood. If the cooking surface and range hood are near a window, use an appropriate window treatment. Avoid long drapes or other window coverings that could blow over the cooking surface and hood, resulting in a fire hazard.
- ◆ **Always run the blowers while the appliance is operating. Failure to do so will result in the overheating and failure of components.**
- ◆ Do not leave children or pets alone or unattended in the area while the cooking surface and range hood are in use.
- ◆ The minimum vertical distance between the cooking surface and the bottom of the hood must be no less than 36". The maximum vertical distance recommended is 40"

#### To reduce the risk of a grease fire:

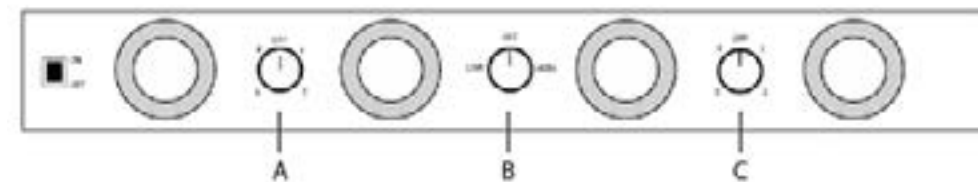
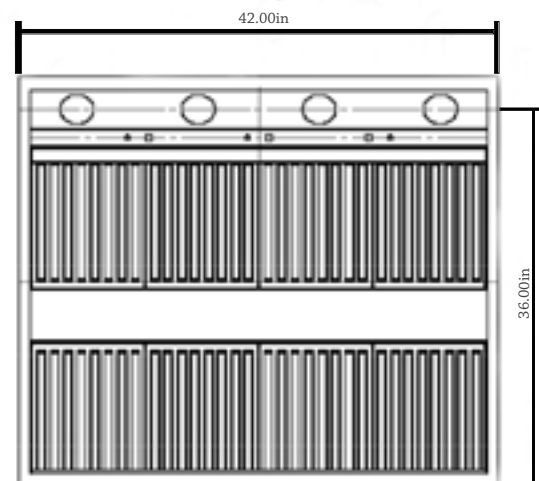
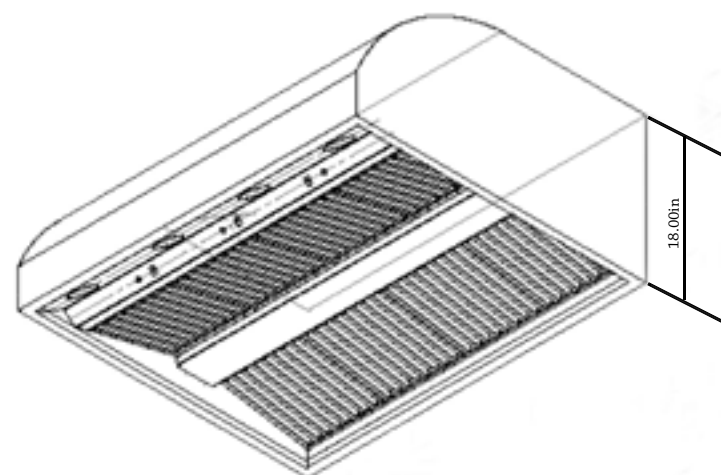
1. Never leave surface units unattended during operation.
2. Always turn hood ON when cooking. Failure to do so will overheat component parts causing damage, which is not covered under the warranty.
3. Clean ventilating fans frequently. Grease should not be allowed to accumulate on fan, grease filters or in the grease trays.

#### To reduce the risk of injury to person in the event of a grease fire:

4. SMOTHER FLAMES with a close-fitting lid, cookie sheet or metal tray, then turn off the burner. BE CAREFUL TO PREVENT BURNS. If the flames do not go out immediately, EVACUATE AND CALL THE FIRE DEPARTMENT.
5. **NEVER PICK UP A FLAMING PAN - you may be burned.**
6. **DO NOT USE WATER, including wet dish clothes or towels - a violent steam explosion may result.**

# BLAZE BBQ HOOD

# CONTROL PANEL



To power on the hood, flip the switch on the left. Press up (I) to power on, and down (o) to power off.

### A) LEFT FAN:

To operate the fan, press in on the knob. This will allow adjustment of fan speed. Turn the knob counterclockwise for the lowest fan speed and quietest output. Adjust the knob to the desired setting, with 1 being the lowest setting and 4 being the highest.

### B) LIGHTS:

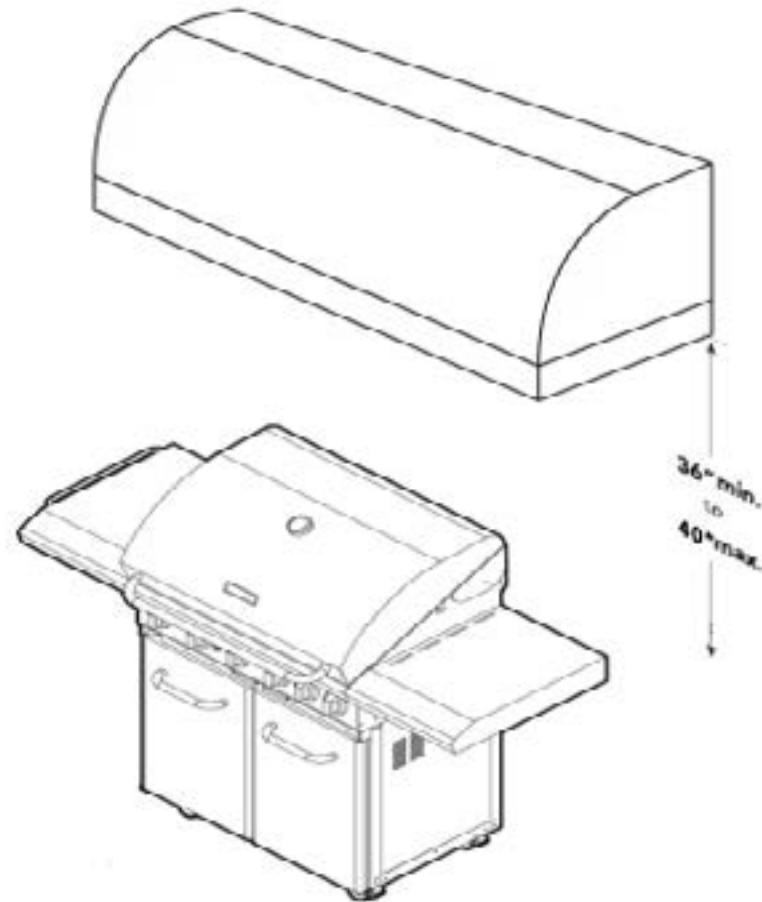
To operate the lights, press in on the knob. This will allow adjustment of light intensity. Turn the knob counterclockwise for the lowest intensity. Turn the knob clockwise for maximum intensity.

### C) RIGHT FAN:

To operate the fan, press in on the knob. This will allow adjustment of fan speed. Turn the knob counterclockwise for the lowest fan speed and quietest output. Adjust the knob to the desired setting, with 1 being the lowest setting and 4 being the highest.

# CLEARANCE DIMENSIONS

# INSTRUCTIONS



## WARNING

It is important to install the hood at the proper mounting height. Hoods mounted too low could result in heat damage and cause a fire hazard. Hoods mounted too high will be hard to reach and will lose performance and efficiency.

FOR BEST OPERATION, WE RECOMMEND YOU:

- ◆ **Plug in and test controls (lights, fans) before installing.**
- ◆ Allow 36-40" between the top of your cooking surface and the bottom of hood
- ◆ Vent vertically through the roof if possible
- ◆ Vent through a side wall if you cannot vent directly above your range hood
- ◆ Vent with two completely straight runs of pipe and only deviate if absolutely necessary. Every deviation reduces the effectiveness of the hood and decreases the airflow the hood is able to move. When deviation is necessary, use 45's vs 90's, with no more than three 45° elbows.
- ◆ Make sure there is at least 24" of straight vent between any elbows
- ◆ Use silver or duct tape to seal all joints in the vent system
- ◆ Use caulking to seal exterior openings around the cap
- ◆ Always use metal or aluminum ducts for maximum airflow
- ◆ Always keep the duct clean to ensure proper airflow.
- ◆ Ensure the vent caps used at the termination of the ducting are rated to handle the CFM of the duct run. Note: the blower motors are rated for **1,000 CFM EACH** and therefore both of the vent caps would need to have a rating of **1,000 CFM EACH**.

### ⚠ DO NOT:

- ◆ **Terminate the vent system into an attic or other enclosed area**
- ◆ **Use 4" (10.2 cm) laundry-type wall caps**
- ◆ **Use plastic venting**
- ◆ **Use corrugated flexible ducting**
- ◆ **Combine ducting (see below NOTE)**

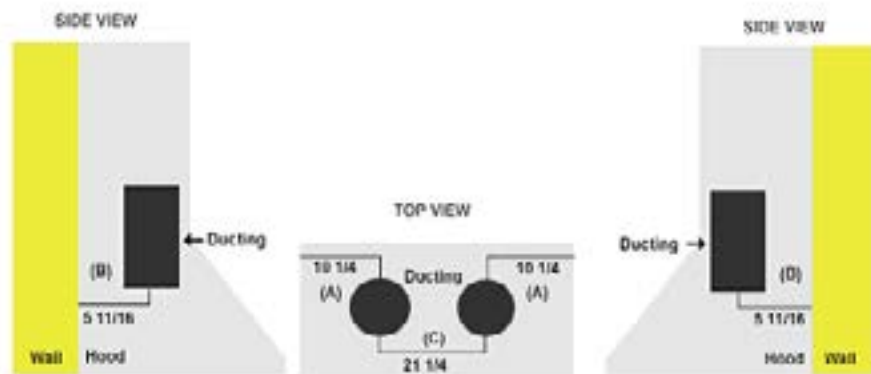
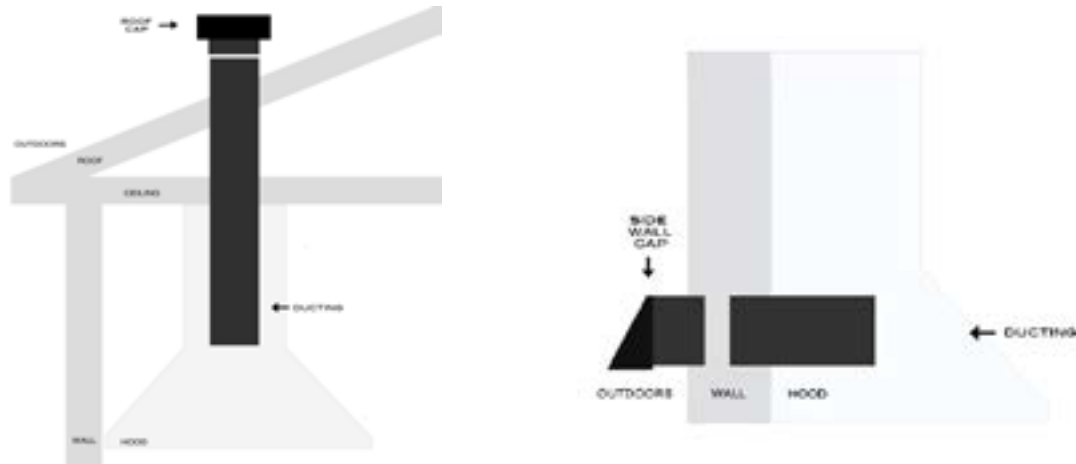
**Note:** This model comes with two vent outlets each ready to accept 8" pipe. To ensure proper performance, maintain the dual exhaust paths vs. combining into a single pipe. Combining into a single pipe can create a competition between the two motors either creating poor performance and/or one motor overtaking the other. It is also recommended to have a vent cap with a damper and screen whose exhaust capabilities mimic that of the discharge of the pipe. As vented as described above, one would require two vent caps with damper and screen each having a rating of 1,000 CFM per cap.



# VENTING OPTIONS

## VERTICAL WALL VENTING

## HORIZONTAL WALL VENTING



**A** - 10 1/4" from the side edge of the hood to the center of the duct

**B** - 5 11/16" from the wall to the center of the duct (using the included mountin bracket which is between the wall and hood and is roughly 1/8" thick)

**C** - 21 1/4" from the center of the duct to the center of the duct

**\*Note: the two included transition pieces come ready to accept 8" ducting.**

# WALL HOOD INSTALLATION

## PREPARATION

**Remember to plug in and test the hood prior to installation.** When planning for the installation of the vent hood please include an opportunity to access the top of the hood when the installation is complete. This is necessary for service and or replacing parts over time as there are several fasteners that will need to be accessed.

**Electrical Requirements** - Hood comes with 4-foot cord, and will plug into the top of the hood and then into an 110 V GFI protected outlet that should be wired to a 15 AMP breaker.

## STEP 1

Install the wall bracket at the predetermined location for the vent hood. You will find several holes in the bracket allowing the installer to fasten directly to multiple studs in the wall. Secure the wall bracket to the wall studs using the appropriate screws ( not included ) for the material you are mounting to. It is critical that this mounting bracket be thoroughly secured to the wall through the wall studs.



## STEP 2

Install the vent hood bracket to the vent hood. Match the openings in the vent hood bracket to those on the hood. Use the included screws to tighten the bracket securely to the vent hood.

## STEP 3

Hang the vent hood on the wall bracket. You will see 2 rectangular openings between the vent hood bracket and the hood itself. These two openings will install over and down into place in the corresponding openings on the wall bracket. Once in place, secure the vent hood bracket to the wall bracket with the appropriate screws for the material you are mounting to (not provided).



# WALL HOOD INSTALLATION

# MOTOR ROTATION INSTRUCTIONS

SAFETY

DIAGRAMS

INSTALLATION

FILTERS

CARE

TROUBLESHOOTING

SAFETY

DIAGRAMS

INSTALLATION

FILTERS

CARE

TROUBLESHOOTING

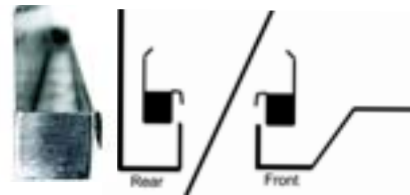
## STEP 4

Secure the bottom of the vent hood to the wall. Using a power drill, drill a hole at the stud location through the vent hood's rear wall at the lower left and right side. Secure the appropriate screw for the material you are mounting to ( not provided ) through the holes with the appropriate screws and into the stud in the wall.

## STEP 5

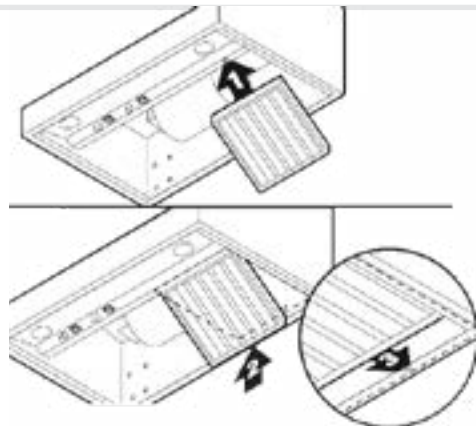
Install the two grease trays in the front and back of the unit. When installed, these trays will accept the grease filters on the bottom side. The front grease tray will provide a barrier between the filters and the control knob connections. The rear grease trays install in the rear channel at the back of the unit.

**Note:** When installing the drip trays, place each tray in the opening at the front and rear as shown in the drawing. Be sure to have the small front bend hook over the lip of the opening.



## STEP 6

Install all grease filter handles to the filters using the included screws. Three filters cover the front section of the hood and three cover the back. Install the filters leaving the bottom of the filters resting in the previously installed grease trays and the tops will lay in the U shaped channel in the center support. All filters must be installed from the center position, and then moved to the left and right, leaving the center positioned filter for last.



## GETTING STARTED

The image to the right shows the position of the motors directly from the factory. This position of the motor is used when running vertical pipe for your venting.



## STEP 1: REMOVE COVER PLATE

There are two sets of screws you will be working with on the cover plate. The smaller screws closest to the edges of the plate hold the plate to the hood itself. The larger screws closer to the center hold the motor to the cover plate. Remove all of the smaller screws holding the cover plate to the hood body.

## STEP 2: REMOVE MOTOR SCREWS

Next, remove all of the larger screws that hold the motor to the cover plate leaving the center screw. The center screw to be left in place can be seen in the image.



## STEP 3: DETACH MOTOR FROM PLATE

Holding the center of the motor, remove the final screw, which will free the motor from the cover plate. Lower the motor gently until it comes to resting position.

## STEP 4: ROTATE MOTOR

At this point, the cover piece can be removed and you are ready to rotate the motor to the horizontal discharge position. When lifting the motor out of the housing, tilting the motor down on one side is typically the best method for getting the motor out of the opening.



Once out of the hood, simply rotate 180 degrees and place the motor back into the hood. For both the removal and reinstallation of the motor, be careful not to pinch the wiring. Allow it to rest at the initial position when you started.

## STEP 5: REPLACE THE COVER PLATE

Next, re-install the cover plate with the discharge in the horizontal position. The cover plate can be reattached with the small screws.



## STEP 6: ATTACH THE MOTOR

Re-attach the motor to the cover plate. Start with the center screw, which was the last screw removed when the motor was disassembled. Once the initial screw is in place, attach the remaining screws to hold the motor onto the cover plate.

## STEP 7: SECURE LOOSE CABLES

You will find some of the connecting cables now lying below the motor. Secure wires above motor and the rotation process is complete. Repeat same process for additional motor.

**Electrical Requirements** - Hood comes with 4 foot cord, and will plug into a 110V outlet which should be wired to a 15 AMP breaker.

# CARE & CLEANING

## WARNING

- ◆ Never put your hand into the vent hood while the unit is operating
- ◆ Turn off power to the hood before cleaning and trip the corresponding electrical breaker supplying the range hood.
- ◆ Make sure your cooking surface and hood are cool before cleaning
- ◆ Use only the types of cleaning solutions mentioned in this manual
- ◆ Completely dry the filter(s) immediately after cleaning

## CLEANING EXTERIOR SURFACES

- ◆ Regular care will help preserve the appearance of your range hood.
- ◆ Always wipe stainless steel surfaces with the grain to avoid scratches
- ◆ Clean periodically with hot soapy water and clean microfiber.
- ◆ For heavier soil, use a liquid degreaser such as 409™ or Fantastic™.
- ◆ If hood looks splotchy, use a stainless steel cleaner on the surface. Promptly and gently remove cleaner with a soft towel or wipe.
- ◆ After cleaning, you may use non-abrasive stainless steel polish (such as 3m™ or ZEP™) to buff out the stainless luster. Always scrub lightly and with a clean cotton cloth.

## DO NOT:

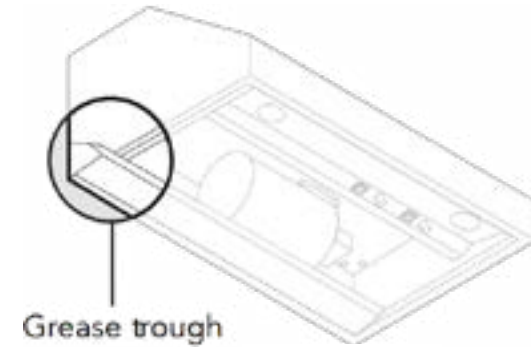
- ◆ Use corrosive or abrasive detergent (eg, Comet Power Scrub™ or EZ-Off™ oven cleaner).
- ◆ Use steel wool or scouring pads, which will scratch and damage the stainless steel surface.
- ◆ Leak cleaning solution onto or into the control panel
- ◆ Allow deposits to accumulate or remain on the hood
- ◆ Allow salt solutions, disinfectants, bleaches, or cleaning compounds to remain in contact with the stainless steel for extended periods.

## CLEANING BAFFLE FILTERS

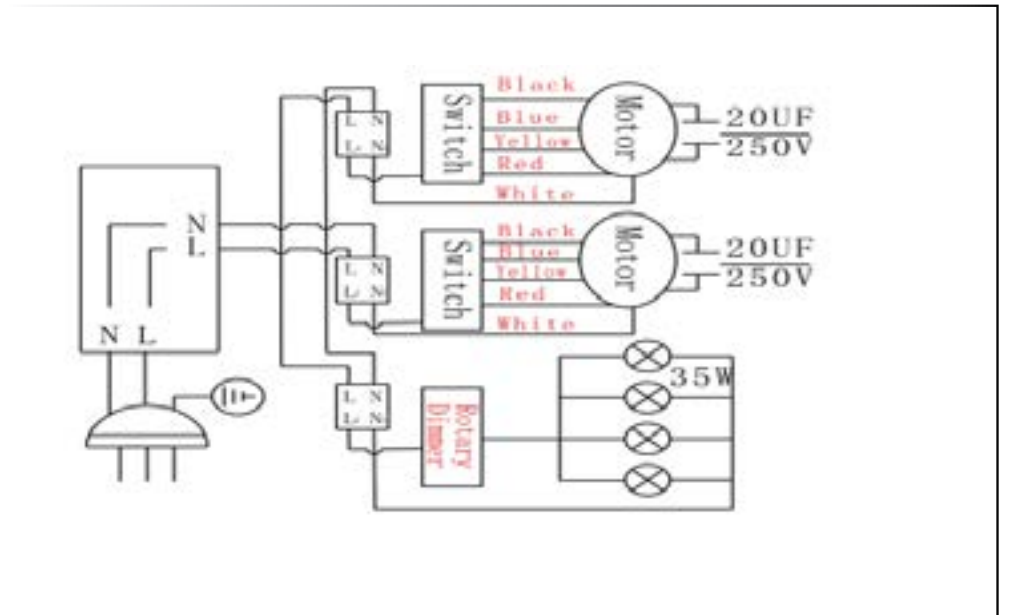
All BLAZE OUTDOOR PRODUCTS hoods come with stainless steel baffle filters. They should be inspected for grease accumulation periodically. The baffle filters can be washed in a dishwasher or in a sink with hot, soapy water. Simple periodic cleaning will ensure maximum filter effectiveness.

SAFETY	SAFETY
DIAGRAMS	DIAGRAMS
INSTALLATION	INSTALLATION
FILTERS	FILTERS
<b>CARE</b>	<b>CARE</b>
TROUBLESHOOTING	TROUBLESHOOTING
PURCHASE INFO	

# CARE & CLEANING



When cleaning filters, always remove the grease channels and clean with hot soapy water. Both the filters and the channels are dishwasher safe. Dry thoroughly before re-installing.



Wiring Diagram



# TROUBLESHOOTING

**Remember to always disconnect the power and trip the corresponding electrical breaker before starting any service, repair, or cleaning of the vent hood.**

## **NOTHING WORKS (Control Panel not responding; Blower not working)**

Solution 1: Turn on power at circuit breaker panel or fuse box. Check for tripped breaker or blown fuse under the black plastic cover on the rear of the hood.

Solution 2: Make sure hood power cable is plugged in and powered.

## **LIGHTS NOT TURNING ON**

Solution 1: See “nothing works” above.

Solution 2: Swap out lights to determine if bulbs are defective.

Solution 3: Check the wiring on the lights to ensure a secure connection/no loose wires.

## **RANGE HOOD VIBRATES WHEN BLOWER IS ON**

Solution 1: Make sure the range hood has been secured properly to the ceiling or wall.

Solution 2: Ensure the venting system is correct. Back-pressure caused by incorrect venting not only leads to poor performance, but can also create vibrations at the hood.

Solution 3: Ensure the two nuts (one on each side) on the blower's motor's axle are right. These are accessible by removing the safety covers on each side.

## **BLOWER SYSTEM SEEMS WEAK**

Solution 1: Increase the fan speed, ensure that it is at a high enough setting.

Solution 2: Make sure the ducting is sized and run correctly. Range hood will not function efficiently with insufficient duct size (IE, 9" duct over 8" hole)

Solution 3: Check to see if duct is clogged or if damper unit (half-circular flapper) is installed incorrectly. A tight mesh on a side wall cap unit might also cause restriction to the air flow.

Solution 4: Ensure the correct vent termination cap is used with whose CFM rating matches that of each motor.

## **AIR NOT VENTING OUT PROPERLY**

Solution 1: Make sure there is at least 36" between the top of the cooking surface and the bottom of the hood.

Solution 2: Reduce the number of elbows and length of duct work. Check to ensure all joints are properly connected, sealed, and taped.

Solution 3: Make sure power is on high speed for heavy cooking.

Solution 4: See checks under “Blower system seems week” above.

# WARRANTY

## **One Year Warranty - Parts Only**

For one year from the date of original purchase, we will repair or replace any non-consumable parts or components that failed due to manufacturing defects.

## **What is NOT Covered:**

- ◆ Consumable parts such as light bulbs and filters (stainless, aluminum, or charcoal)
- ◆ Damage due to natural wear, improper maintenance, or use of abrasive cleaning products
- ◆ Chips, dents, or cracks due to abuse, misuse, or improper installation
- ◆ Damage caused by accident, fire, floods, or natural disaster

SAFETY	SAFETY
DIAGRAMS	DIAGRAMS
INSTALLATION	INSTALLATION
FILTERS	FILTERS
CARE	CARE
<b>TROUBLESHOOTING</b>	<b>TROUBLESHOOTING</b>



# BLAZE

OUTDOOR PRODUCTS

6620 Greenwell Springs Rd. Baton Rouge, LA 70805

1-866-976-9510 • <http://www.blazegrills.com/>

